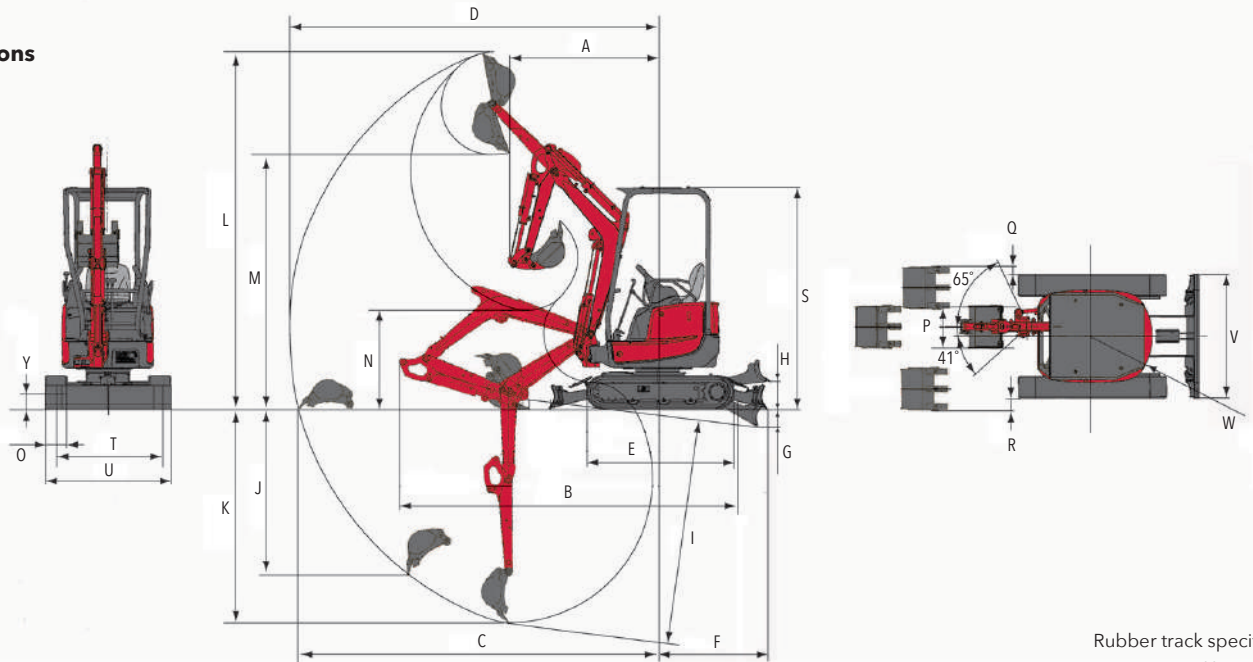


## ● Dimensions



Rubber track specification  
Unit: mm (in.)

	A <at boom swing>	B	C	D	E	F	G	H	I	J	K	L	M	N	O	P	Q	R	S	T	U	V	W	Y
ViO17-1	1540 (60.6)	3460	3730	3820	1540	1120	200	265	2310	1800	2210	3690	2620	1010	230	450	85-250	125-290	2320	720-1050	950-1280	950 / 1280	640	165
Canopy	<1390 (54.7)>	(136.2)	(146.9)	(150.4)	(60.6)	(44.1)	(7.9)	(10.4)	(90.9)	(70.9)	(87.0)	(145.3)	(103.1)	(39.8)	(9.1)	(17.7)	(3.3-9.8)	(4.9-11.4)	(91.3)	(28.3-41.3)	(37.4-50.4)	(37.4 / 50.4)	(25.2)	(6.5)

## ● Specifications

MODEL			ViO17-1	
TYPE			Canopy	
			Sliding variable undercarriage	
WEIGHT	Operating weight	Rubber track	kg (lbs.)	1785 (3935.2)
		Steel track	kg (lbs.)	1870 (4122.6)
ENGINE	Type	Vertical 3-cylinder water-cooled diesel engine		
	Model	3TNV70-XBV		
	Rated output, gross	kW (HP) / rpm		10.1 (13.5) / 2200
BUCKET	Capacity, standard	cu.m (cu.ft)		0.04 (1.41)
	Width, standard	mm (in.)		450 (17.7)
PERFORMANCE	Max. digging force	Bucket	kN (lbs.)	15.2 (3418)
		Arm	kN (lbs.)	8.6 (1933)
	Max. digging depth <at the blade down>	mm (in.)		2210 (87.0)
	Max. vertical wall digging depth	mm (in.)		<2310 (90.9)>
	Max. cutting height	mm (in.)		1800 (70.9)
	Max. dumping height	mm (in.)		3690 (145.3)
	Max. digging radius of the ground	mm (in.)		2620 (103.1)
	3730 (146.9)	mm (in.)		
Front min. swing radius <at swinging the boom>	mm (in.)		1540 (60.6)	
	mm (in.)		<1390 (54.7)>	
	Boom swing angle: left / right	degrees		41 / 65
SPEED	Travel speed:	Rubber track	km/h (mph)	4.2 (2.6) / 2.1 (1.3)
	high / low	Steel track	km/h (mph)	3.7 (2.3) / 1.9 (1.2)
	Swing speed	rpm		9.5
GROUND PRESSURE	With standard track	Rubber track	kPa (PSI)	29.0 (4.2)
		Steel track	kPa (PSI)	30.3 (4.4)
TANK CAPACITY	Fuel tank	L (gal)		20.0 (5.3)
	Hydraulic oil tank	L (gal)		16.5 (4.4)
HYDRAULIC SYSTEM	Pump displacement	L/min (gpm)		17.6 (4.65)×2 <Variable displacement pump>
				13.2 (3.48)×1 <Gear pump>, 7.9 (2.09)×1 <Gear pump>
	Relief set pressure	MPa (PSI)		20.6 (2986)×2, 16.7 (2417)×1, 2.9 (427)×1
	Max. P.T.O. output	L/min (gpm)		30.8 (8.1)

All data are subject to change without notice. Note that the standard equipment may vary. Consult your YANMAR dealer for confirmation.

☎ 1300 966 088

[www.betterrentals.com.au](http://www.betterrentals.com.au)

Cranbourne  
Pakenham  
Mornington  
Ferntree Gully

