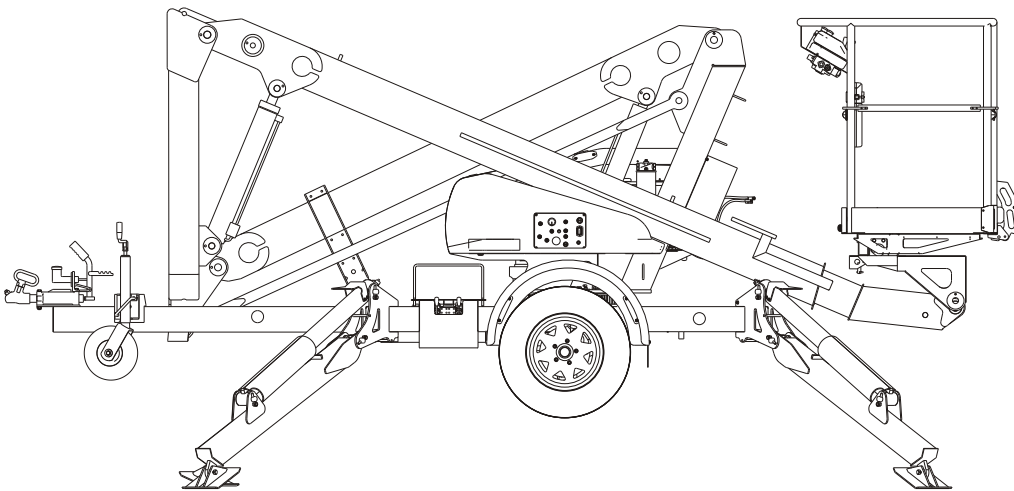




MHP14AT  
MHP13AT



Diesel  
Gasoline  
Battery Electric  
Bi-Energy Options

# OPERATION MANUAL

Serial Number NZ110108 and after

Part Number: 13618-1  
January 2018 (Rev C)

## ■ Electrocutation Hazard Warning



# DANGER

**THE MHP14AT / MHP13AT AERIAL WORK PLATFORM, IN STANDARD CONFIGURATION, IS NOT ELECTRICALLY INSULATED**

If the platform, scissor arms assembly or any other conductive part of the machine contacts a high voltage electrical conductor the result can be **SERIOUS INJURY** or **DEATH** for persons on or near the machine.



**GO NO CLOSER THAN THE MINIMUM SAFE APPROACH DISTANCES (M.S.A.D) - SEE BELOW**

Be sure to allow for sag and sway in the wires and the work platform.

If the machine comes in contact with a live electrical conductor, the entire machine can be charged.

If that happens, you should remain on the machine and not contact any other structure or object within reach. That includes the ground, adjacent buildings, poles, and any other object not part of the machine.

Such contact could make your body a conductor to the other object creating an electrical shock hazard resulting in **SERIOUS INJURY** or **DEATH**.

**DO NOT** attempt to enter or leave the machine until you are sure the electricity has been turned off.

If the machine is in contact with a live conductor, the platform operator **MUST** warn others on the ground in the vicinity of the machine to **STAY AWAY** from the machine, since their bodies can also form a path for electricity to ground thus creating an electrical shock hazard with possible **ELECTROCUTION** and **DEATH**.

**DO NOT** attempt to operate the machine ground controls when the platform, scissor arms assembly or any other conducting part of the machine is in contact with electrical wires or if there is an immediate danger of such contact.

Regard all conductors as energised.

Personnel working on or near the machine must be continuously aware of electrical hazards, recognizing that **SERIOUS INJURY** or **DEATH** can result if contact with an electrical wire does occur.

**▲ IMPORTANT - M.S.A.D.**

**It is the operators responsibility to ensure M.S.A.D., (Subject to local regulations and laws), are known and adhered to.**

The most important chapter in this manual is the safety chapter - Chapter 1. Take time now to study it closely.

The information in chapter 1 might save your life, prevent serious injury or damage of property to the MHP14AT / MHP13AT.

This introduction also contains important information concerning the responsibilities of the owner of the machine.

## ■ Standard MHP14AT / MHP13AT

The standard MHP14AT / MHP13AT includes the following features:

- Independently operated heavy duty hydraulic stabilisers
- Manual stabilisers
- 540 slew
- Heavy duty tow coupling
- Heavy duty jockey wheel
- Hour meter
- Hydraulic disc brakes
- Steel platform - 2 person capacity
- High strength steel boom and base construction
- Beam axle with 15" rims
- Honda petrol engine
- 600V AC rated wire to platform
- Stabiliser/boom interlocks
- Stabiliser lift points
- Gravity gates
- LED taillights
- Height restrictor in upper cylinder to keep platform at 10.9m maximum height (MHP13AT only)
- 235 R15 x 75 tyres
- Platform overload protection

## ■ Options

The following options are available for the MHP14AT / MHP13AT:

- Automatic stabilisers
- Custom colours
- Platform work lights
- Air line to platform
- Flashing light
- Spare wheel
- 10.9 height lock out kit
- 240V / 110V outlet in platform
- Battery isolate switch

- Platform foot switch
- Alternative power options
  - Diesel engine
  - 24V DC power
  - 240V power
  - 110V power
- Bi-energy options
  - Petrol / 24V
  - Petrol / 240V
  - Diesel / 24V
  - Diesel / 240V
  - 24V / 240V
- Platform rotator

## ■ Operation Manual

This manual provides information for sale and proper operation of the aerial platform. Read and understand the information in this Operator's manual before operating this machine on a job site.

Additional copies of this manual may be ordered from Snorkel. Supply the model and manual part number from the front cover to assure the correct manual will be supplied.

All information in this manual is based on the latest product information at the time of publication. Snorkel reserves the right to make product changes at any time without obligation.

## ■ Photographs

Photographs are taken to represent the machine and its component parts as clearly as possible. However, there may be minor differences between the photographs and your machine. This represents individual customer preferences and Snorkels on going commitment to product development.

## ■ Safety Alerts

A safety alert symbol is used throughout this manual to indicate danger, warning and caution instructions. Follow these instructions to reduce the likelihood of personal injury, property damage or damage to the machine.

The terms danger, warning and caution indicate varying degrees of personal injury or property damage that can result if the instruction is not followed.

## DANGER

Denotes an Imminently hazardous situation which if not avoided, will result in serious injury or death.

# Introduction

---

## **WARNING**

Denotes a potentially hazardous situation which if not avoided, could result in serious injury or death.

## **CAUTION**

Denotes a potentially hazardous situation which if not avoided, may result in minor or moderate injury.

It may also be used to alert against unsafe practices or action which may result in damage to the machine.

## **IMPORTANT**

Denotes important informations pertaining to settings, capacities, conditions, which could, if ignored lead to machine damage or future hazardous situations. It is also used to alert the reader to pay careful attention to a particular passage of text in the manual.

### **Notes:**

Notes are used to provide special information or helpful hints to assist in aerial platform operation, but do not indicate a hazardous situation.

### **■ Operation**

The MHP aerial platform has built in safety features and has been factory tested for compliance with Snorkel specifications and industry standards. However, any personnel lifting device can be potentially dangerous in the hands of untrained or careless operators.

Training is vitally important and must be performed under the direction of a qualified person. You must display proficiency in knowledge and actual operation of the machine before using it on a job site.

Before operation of the machine you must read and understand the operating instructions in this manual as well as the decals, warnings and instructions on the machine itself.

Before operating the machine you must be authorised by the person in charge to do so and the operation of the machine must be within the scope of the machine specifications.

## **WARNING**

**The potential for an accident increases when the aerial platform is operated by personnel who are**

**not trained and authorised. Death or serious injury can result from such accidents.**

**Read and understand the information in this manual and on the placards and decals on the machine before operating the MHP on the job.**

### **■ Maintenance**

Every Person who maintains, inspects, tests or repairs these machines, and every person supervising any of these functions, must be properly trained and qualified to do so.

The Operators Manual provides a Pre-operational inspection procedure that will help you keep your MHP in good operating condition.

Do not perform other maintenance unless you are a trained mechanic, qualified to work on the MHP. Call qualified maintenance personnel if you find problems or malfunctions.

Do not modify this machine without written approval from the Engineering Department of Snorkel. Modification may void the warranty, adversely affect stability, or affect the operational characteristics of the MHP.

### **■ Responsibilities of parties**

## **IMPORTANT**

**It is imperative that all owners and users of the MHP read, understand and conform to all applicable regulations.**

**Ultimate compliance to OSHA regulations is the responsibility of the user and their employer.**

## **IMPORTANT**

**ANSI Standard A92.6 clearly identifies requirements of all parties who might be involved with Self-Propelled Elevating Work Platforms.**

**Australian / NZ Standard 2550-10 also identifies the requirements of all parties who might be involved with Boom-Supported Elevated Work Platforms.**

### **Note**

It is the responsibility of the owner to ensure that the person operating the machine is provided with all the relevant information relating to standards and codes of practice applicable in their region.

## ■ In Summary

- Only trained and authorised operators should be permitted to operate the equipment.
- All manufacturers operating instructions and safety rules and all employers safety rules and all OSHA and other government safety rules should be strictly adhered to.
- Repairs and adjustments should be made only by qualified and trained maintenance personnel.
- No modification should be made to the equipment without prior written consent of the Snorkel Engineering Department.
- Make a pre-start inspection of the MHP at the beginning of each shift. A malfunctioning machine must not be used.
- Make an inspection of the workplace to locate possible hazards before operating the MHP.

## ■ Product Warranty

For full terms of your warranty policy please refer to the Repair Parts Manual, or check with your Snorkel distributor, or check the Snorkel website.

## ■ Additional Information

For additional information, contact your local dealer or Snorkel at:

Snorkel New Zealand  
PO Box 1041  
Levin 5510  
New Zealand



## Electrical Hazard

---

Electrical Hazard Warning . . . . .	2
-------------------------------------	---

## Introduction

---

Standard MHP14AT / MHP13AT . . . . .	3
Options . . . . .	3
Operation Manual . . . . .	3
Photographs . . . . .	3
Safety Alerts . . . . .	3
Operation . . . . .	4
Maintenance . . . . .	4
Responsibility Of Parties . . . . .	4
In Summary . . . . .	5
Product Warranty . . . . .	5
Additional Information . . . . .	5

## 1. Safety

---

Safe Operation . . . . .	1-1
Electrocution Hazards . . . . .	1-1
Pre-Start Inspection . . . . .	1-1
Work Place Inspection and Practices . . . . .	1-1
Operation . . . . .	1-2
Tipover and Falling Hazards . . . . .	1-2
General Safety Precautions . . . . .	1-3
Hydraulic System Precautions . . . . .	1-3
Fire prevention . . . . .	1-3
Engine and Fuel Handling Precautions . . . . .	1-3
Batteries . . . . .	1-4
Height Restriction . . . . .	1-4
Height Restriction on MHP13AT . . . . .	1-4
10.9 Meter Restriction Kit . . . . .	1-4
Safety Decals and Placards . . . . .	1-4

## 2. Safety Devices

---

Safety Device Information . . . . .	2-1
Emergency Stop Switches . . . . .	2-1
At ground control box . . . . .	2-1
At platform control box . . . . .	2-1
Other Safety Devices . . . . .	2-1
Lanyard anchor points . . . . .	2-1
Gravity gates . . . . .	2-2
Guardrails . . . . .	2-2
Height restriction on MHP13AT . . . . .	2-2
10.9m height restriction kit (option) . . . . .	2-2
Enable switch . . . . .	2-2
Enable switch - foot (option) . . . . .	2-3
Platform Overload Protection . . . . .	2-3
Bubble level . . . . .	2-3
RCD/ELCB AC outlet (option) . . . . .	2-4
Stabiliser Boom Interlock Test . . . . .	2-4
Flashing light (option) . . . . .	2-4

## 3. Specifications

---

General Specifications . . . . .	3-1
Specifications MHP14AT . . . . .	3-1
Specifications MHP13AT . . . . .	3-2
Engine Data . . . . .	3-3
Working Envelope . . . . .	3-4
Nomenclature . . . . .	3-5

## 4. Gauges

---

Hourmeter . . . . .	4-1
Level Bubble . . . . .	4-1
Hydraulic Oil Level . . . . .	4-1

## 5. Shut-Offs and Circuit Breakers

---

RCD/ELCB Outlet (Option) . . . . .	5-1
Stabilisers . . . . .	5-1
Electrical Circuit Protection . . . . .	5-1

## 6. Controls

---

Controls Description . . . . .	6-1
Controls and control decal locations . . . . .	6-1
Ground Control Box . . . . .	6-2
Lower controls / indicators . . . . .	6-2
Platform Control Box . . . . .	6-3
Upper controls / indicators . . . . .	6-3
Stabiliser Controls Manual . . . . .	6-4
Self Leveling Stabilisers (Option) . . . . .	6-5

## 7. Pre-Operational Inspection

---

Pre-Operational Inspection Table . . . . .	7-1
Stabiliser / Boom Interlock Test . . . . .	7-2
Engine Fuel Level . . . . .	7-3
Fuel Tank Cap . . . . .	7-3
Fuel Leaks . . . . .	7-3
Engine Oil Level . . . . .	7-3
Operators Manual . . . . .	7-3
Wiring Harness . . . . .	7-3
Battery Terminals . . . . .	7-4
Battery Fluid Level . . . . .	7-4
Hydraulic Oil Level . . . . .	7-4
Hydraulic Oil Leaks . . . . .	7-4
Bolts and Fasteners . . . . .	7-5
Wheels and Tyres . . . . .	7-5
Tyre Pressure . . . . .	7-5
Structural Damage and Welds . . . . .	7-6
Lanyard Anchor Points . . . . .	7-6
Platform Gravity Gates . . . . .	7-6
Platform Guardrails . . . . .	7-6
Platform Access Step . . . . .	7-6
Flashing Light (Option) . . . . .	7-7
Ground Control Switches . . . . .	7-7
Emergency Lower . . . . .	7-7
Ground station . . . . .	7-7
Upper control box . . . . .	7-7

# Table of Contents

---

Platform Control Switches . . . . .	7-8	Batteries - charging . . . . .	11-3
AC Outlet RCD/ELCB (Option) . . . . .	7-8	Bi-Energy, Petrol/Diesel / 240V AC . . . . .	11-3
Placards and Decals . . . . .	7-8	AC motor . . . . .	11-3
Placards and Decals . . . . .	7-8	AC motor operation . . . . .	11-3
Standard placards and decals . . . . .	7-8	Operation . . . . .	11-4
Decal list . . . . .	7-10	Bi-Energy, hydraulic oil tank . . . . .	11-4
Decal inspection drawing . . . . .	7-11	Other Options . . . . .	11-4
<b>8. Operation</b>		Air Lines To Platform . . . . .	11-4
<hr/>		Work Lights . . . . .	11-4
Operating Procedures . . . . .	8-1	Flashing Light . . . . .	11-4
Control Stations . . . . .	8-1	Battery Isolate Switch . . . . .	11-4
Emergency Stopping . . . . .	8-1	Alternative Power Options . . . . .	11-4
Emergency Stopping . . . . .	8-1	RCD/ELCB AC Outlet . . . . .	11-4
Operation Considerations . . . . .	8-1	Self Leveling Stabiliser . . . . .	11-5
Stabiliser Operation . . . . .	8-1	Spare Wheel . . . . .	11-5
Using the manual stabiliser valves . . . . .	8-2	Platform Foot Switch . . . . .	11-5
Raising the manually operated stabilisers . . . . .	8-2	Platform Rotator . . . . .	11-5
Self Leveling Stabilisers (Option) . . . . .	8-3	10.9 Meter Height Restriction Kit . . . . .	11-6
Setting the stabilisers manually . . . . .	8-3	<b>12. Fire Fighting and Chemical Control</b>	
Unlocking The Boom . . . . .	8-3	<hr/>	
Starting From The Ground Control Box . . . . .	8-3	Hazardous Components . . . . .	12-1
Starting From The Platform Control Box . . . . .	8-4	Antifreeze . . . . .	12-1
Moving The Platform . . . . .	8-5	Battery lead / acid . . . . .	12-1
From ground control box . . . . .	8-5	Diesel fuel . . . . .	12-1
From platform control box . . . . .	8-5	Foam in tyres . . . . .	12-2
Securing For The Day . . . . .	8-6	Gasoline . . . . .	12-2
<b>9. Emergency Operation</b>		Hydraulic oil . . . . .	12-3
<hr/>		Liquefied petroleum gas . . . . .	12-3
Emergency Operation Procedures . . . . .	9-1	Motor oil . . . . .	12-3
Emergency Operation Procedures . . . . .	9-1	<b>13. Operators Troubleshooting</b>	
Operation from platform control box . . . . .	9-1	<hr/>	
Ground control station settings . . . . .	9-1	Troubleshooting . . . . .	13-1
Operation from ground control position . . . . .	9-2	Operator troubleshooting chart . . . . .	13-1
<b>10. Stowing and Transporting</b>		<b>Appendix A. Glossary</b>	
<hr/>		<hr/>	
Stowing . . . . .	10-1		
The correct stowing position is shown here . . . . .	10-1		
Transporting . . . . .	10-1		
Trailing . . . . .	10-1		
Securing to a transport vehicle . . . . .	10-1		
Towing . . . . .	10-2		
<b>11. Options</b>			
<hr/>			
Bi-Energy, Petrol/Diesel 24V DC . . . . .	11-1		
DC motor . . . . .	11-1		
DC motor operation . . . . .	11-1		
DC motor battery switch . . . . .	11-1		
Setting the manual stabilisers . . . . .	11-1		
Setting the automatic stabilisers . . . . .	11-1		
Operation . . . . .	11-2		
Batteries . . . . .	11-2		
Battery charger . . . . .	11-2		
Batteries - general maintenance . . . . .	11-3		



## ■ Safe Operation

Knowledge of the information in this manual, and proper training, provide a basis for safely operating the MHP. Know the location of all the controls and how they operate to act quickly and responsibly in an emergency.

Safety devices reduce the likelihood of an accident. Never disable, modify or ignore any safety device. Safety alerts in this manual indicate situations where accidents may occur.

If any malfunction, hazard or potentially unsafe condition relating to capacity, intended use or safe operation is suspected, stop the operation of the MHP and seek assistance.

The operator bears ultimate responsibility for following all manufacturers instructions and warnings, regulations and safety rules of their employer and/or any country or regional law.

## ■ Electrocuting Hazards

The MHP is an all metal boom aerial work platform and is not electrically insulated. Do not operate it near electrical conductors. Regard all conductors as being energised. Do not operate outside during a thunderstorm.

## ■ Pre-start Inspection

At the start of each work shift, the MHP shall be given a visual inspection and function test. See the Daily Inspection and Maintenance chapter 7 in this manual for a list of items to inspect and test.

### WARNING

**DO NOT operate the MHP unless you are trained and authorised, understand the operation characteristics of the machine and have inspected and tested all functions to be sure they are in proper working order.**

### WARNING

**NEVER use an MHP that has a known fault or is malfunctioning in any way until the machine has been repaired by a qualified technician.**

**Operating a machine in faulty condition could result in death or serious injury.**

## Note

Whilst some of the safety rules and guidelines that follow may not apply specifically to this machine (e.g. references to driving) they are included as part of an overall safety strategy relating to the use of elevating work platforms.

## ■ Work Place Inspection and Practices

Do not use the MHP as a ground for welding. Ground to the work piece.

Before the MHP is used, and during use, check the area in which the MHP is to be used for possible hazards such as, but not limited to:

- Drop offs or holes
- Side slopes
- Bumps and floor obstructions
- Debris
- Overhead obstructions & electrical conductors
- Hazardous locations
- Inadequate surface and support to withstand all load forces imposed by the aerial platform in all operating configurations
- Wind and weather conditions
- Presence of unauthorised persons
- Other possible unsafe conditions

Before the MHP is used, determine the hazard classification of any particular atmosphere or location according to ANSI/NFPA 505-1987.

Any MHP operated in a hazardous location must be approved and of the type required by ANSI/NFPA 505-1987.

While operating the MHP a recommended safety practice is to have trained and qualified personnel in the immediate work area of the machine to:

- Help in case of an emergency
- Operate emergency controls as required
- Watch for loss of control by platform operator
- Warn the operator of any obstructions or hazards that may not be obvious to them
- Watch for soft terrain, sloping surfaces, drop offs, etc, where stability could be jeopardized
- Watch for bystanders and never allow anyone to be under, or to reach through the booms while operating the aerial platform.

# 1. Safety

---

## DANGER

**Pinch points may exist between moving components. Death or Serious injury can result from becoming trapped between components, buildings, structures or other obstacles. Make sure there is sufficient clearance around the machine before moving the chassis, booms or platform. Allow sufficient room and time to stop movement to avoid contact with structures or other hazards.**

Keep ground personnel from under the platform when the platform is raised.

Secure all accessories, containers, tools and other materials in the platform to prevent them from accidentally falling or being kicked off the platform.

Always look in the direction of travel. Drive with care and at speeds compatible with the workplace conditions. Use caution when driving over rough ground, on slopes, and when turning.

Do not engage in any form of horse play or stunt driving while operating the MHP and do not permit riders on the machine any place other than on the platform.

Remove all loose objects stored in or on the machine, particularly in the platform. Remove all objects which do not belong in or on the machine.

Never steady the platform by positioning it against another platform.

Do not operate an MHP that is damaged or not functioning properly. Do not use the MHP until the machine has been repaired by a qualified maintenance person.

Do not operate an MHP that does not have all its decals and placards attached and legible.

Watch for bystanders and never allow any one to be under, or to reach through, the machine and its equipment while operating.

Use the recommended transport device when loading the machine.

### ■ Operation

If you encounter any suspected malfunction of the aerial platform, or any hazard or potentially unsafe condition relating to capacity, intended use, or safe operation, cease operation immediately and seek assistance from management.

Use three points of support when getting on or off the platform (two hands and one foot or a similar set of points). Keep the platform clean.

Maintain a firm footing on the platform floor. Operate the controls slowly and deliberately to avoid jerky and erratic operation. Always stop the controls in neutral before going in the opposite direction.

Do not dismount while the platform is in motion or jump off the machine. Do not start until all personnel are clearly away from the machine.

Do not start until all personnel are clearly away from the machine.

Never cover the floor grating or otherwise obstruct your view below. Make sure the area below the platform is free of personnel before lowering.

### ■ Tipover and Falling Hazards

Operate the machine only on a firm, flat level surface capable of withstanding all load forces imposed by the MHP in all operating conditions.

## DANGER

**The machine can tip over if it does become unstable. Death or serious injury can result from a tip over accident. Do not drive or position the MHP platform for elevated use near any drop-offs, hole, slope, soft or uneven ground, or other tip-over hazard.**

Do not operate the machine from a position on trucks, trailers, railway cars, floating vessels, scaffolds or similar equipment unless the application is approved in writing by Snorkel.

Care shall be taken to prevent rope, electrical cords and hoses etc from becoming entangled in the aerial platform. If the platform or elevating assembly becomes caught, snagged or otherwise prevented from normal motion by an adjacent structure or other obstacle such that control reversal does not free the platform, remove all personnel from the platform before attempts are made to free the platform using ground controls.

No person shall access or egress from the platform in the elevated position (except in an emergency) unless the requirements of AS2550.10 have been met. For full requirements refer directly to AS2550.10.

Do not exceed the restricted platform capacity as indicated on the capacity placard at the entrance to the platform. Do not carry loads from any point outside of the platform.

Make sure that all protective guards, cowlings and doors are in place and secure. Be sure the guard rail system, including the gate, is in place and secure.

Do not climb on the guardrails or use ladders, planks or other devices to extend or increase your work position from the platform.

Do not use the machine as a crane, hoist or jack, or for any other purpose other than to position personnel, their tools and materials.

Do not operate the machine in winds, or wind gusts of 28 mph, 45 km/h 12.5 m/s or more.

## DANGER

**Do not add banners, flags, screens or shelters etc to areas of the MHP that are exposed to wind forces as this will increase the wind loading and effect stability.**

### ■ General Safety Precautions

Do not modify the MHP in any way.

When parts or components are replaced, they shall be identical or equivalent to original Snorkel parts or components.

Do not override any of the safety features of the MHP.

### ■ Hydraulic System Precautions

The hydraulic system contains hoses with hydraulic fluid under pressure.

## DANGER

**Hydraulic fluid escaping under pressure can have enough force to inject fluid into the flesh. Serious infection or reaction can result if medical treatment is not given immediately. In case of emergency by escaping hydraulic fluid, seek medical attention at once.**

DO NOT place your hand or any part of your body in front of escaping hydraulic fluid. Use a piece of cardboard or wood to search for hydraulic leaks.

Do not attempt repairs to hydraulic systems unless you are trained. Refer to experienced repair personnel for help.

### ■ Fire Prevention

Never operate your MHP near a flame or spark. Hydraulic oil and gasoline are flammable and can explode.

#### Note

This machine is equipped with an internal combustion engine (in its standard configuration) and should not be used on or near any unimproved forest covered, brush covered or grass covered land unless the engines exhaust system is equipped with a spark arrester meeting applicable laws. If a spark arrester is used, it should be maintained in effective working order by the operator.

### ■ Engine and Fuel Handling Precautions

## WARNING

**Engine exhaust contains carbon monoxide, a poisonous gas that is invisible and odourless. Breathing engine exhaust fumes can cause death or serious illness. Do not run the engine in an enclosed area or indoors without adequate ventilation.**

Only refuel your MHP outdoors in a clear area void of gas fumes or spilled gas.

Never remove the fuel cap or refuel a gasoline engine while the engine is running or hot. ALWAYS allow the engine to cool before refueling. Never allow fuel to spill on hot machine components.

## DANGER

**DO NOT smoke or permit open flames while fueling or near fueling operations.**

Maintain control of the fuel filter nozzle when filling the tank

## CAUTION

**ENSURE you use an approved fuel container with appropriate fuel filter nozzle.**

# 1. Safety

---

Do not fill the fuel tank to capacity. Allow room for expansion.

If gasoline is spilled, clean up spilled fuel immediately, push/tow the MHP away from the area of the spill and avoid creating any source of ignition until the spilled fuel has evaporated.

Tighten the fuel tank cap securely. If the cap is lost, replace it with an appropriate cap from Snorkel. Use of a non-approved cap without proper venting may result in pressurization of the tank.

Never use fuel for cleaning purposes.

For diesel engines, use the correct fuel grade for the operating season.

## ■ Batteries

Charge batteries in a well ventilated area free of flame, sparks or other hazards that might cause fire or explosion.

## WARNING

**Batteries give off hydrogen and oxygen that can combine explosively. Death or serious injury can result from a chemical explosion. Do not smoke or permit open flames or sparks when checking batteries.**

**Battery acid can damage the skin and eyes. Serious infection or reaction can result if medical treatment is not given immediately. Wear face and eye protection when working near batteries.**

## CAUTION

If acid contacts your eyes, flush immediately with clear water and get medical attention. If acid contacts your skin, wash off immediately with clear water.

## ■ Height Restriction

## IMPORTANT

**The height restrictor fitted to the standard MHP13AT, is not the same device as the 10.9m restriction kit, although both of these devices achieve the same result of restricting the maximum height of the platform to 10.9m from the ground.**

This is to allow the unit to be operated by unlicensed operators in accordance with Australian Legislation.

## WARNING

**An Australian operator MUST hold a WP certificate of Competency in order to operate the machine in excess of 11m.**

## ■ Height Restriction on MHP13AT

The MHP13AT (in standard mode) is fitted with a restrictor in the upper hydraulic lift cylinder to keep the platform to a maximum height of 10.9m.

## ■ 10.9 Meter Restriction Kit

Machines that are built for the Australian market may be fitted with a 10.9m restriction kit.

This kit which can be fitted to the MHP14AT is fitted to restrict the maximum height to the platform floor at 10.9m from the ground.

### Note

See the Options chapter page 6 for details concerning this kit.

## ■ Safety Decals and Placards

There are a number of safety decals and placards on the MHP. Their locations and descriptions are shown in this section on the following pages. Take time to study them.

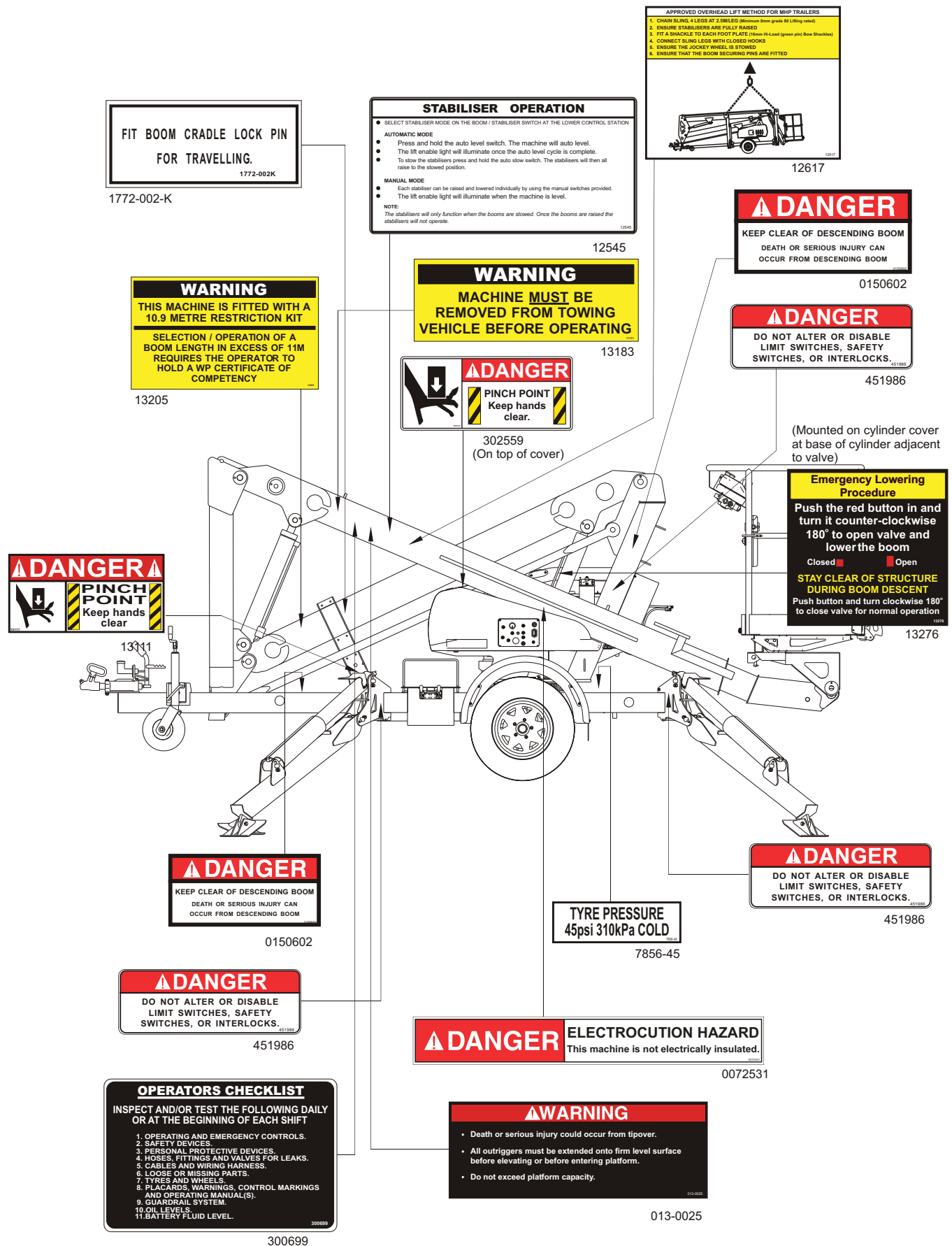
## CAUTION

**Be sure that all the safety decals and placards on the MHP are legible. Clean or replace them if you cannot read the words or see the pictures. Clean with soap & water and a soft cloth. Do not use solvents.**

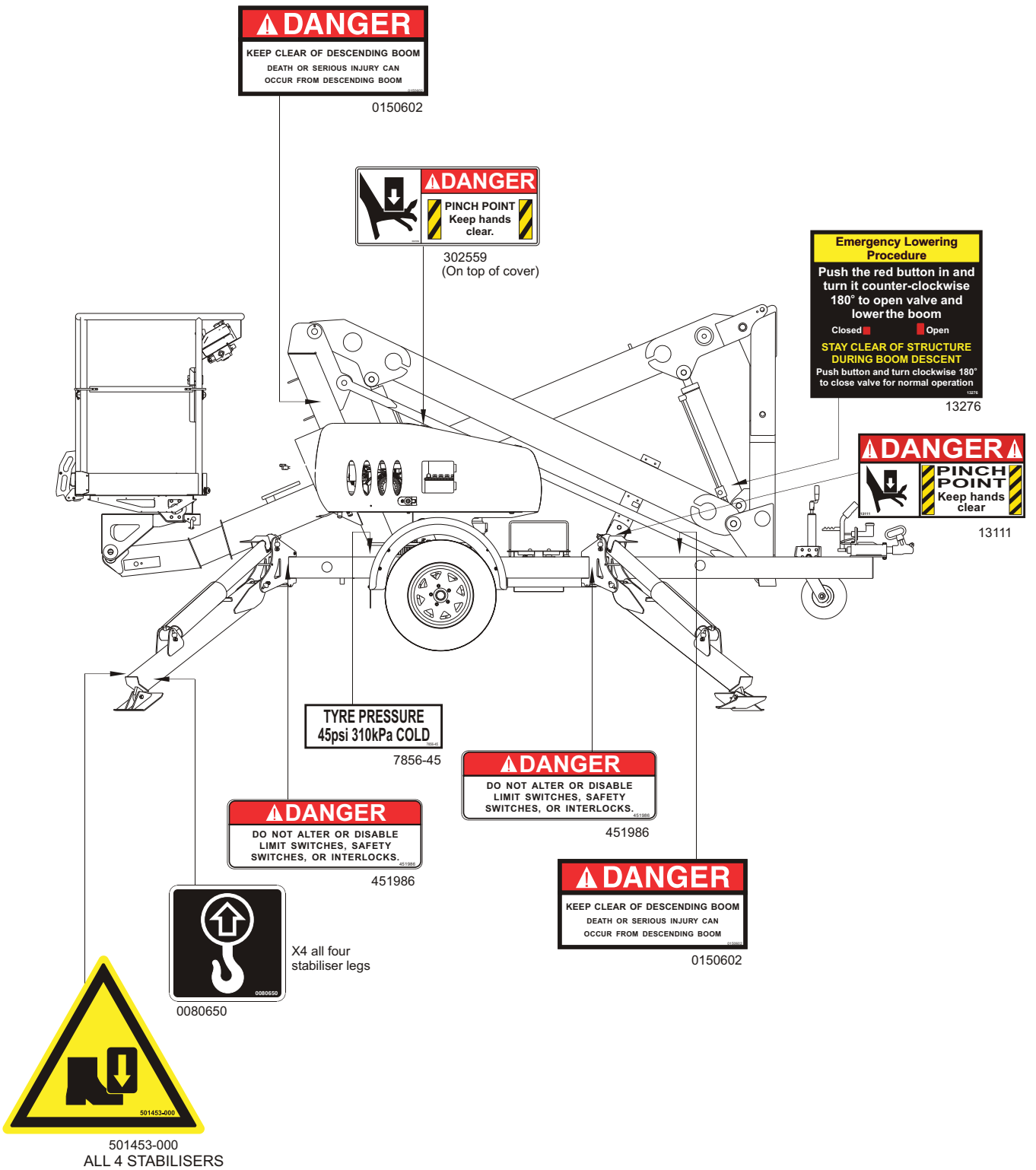
### Note

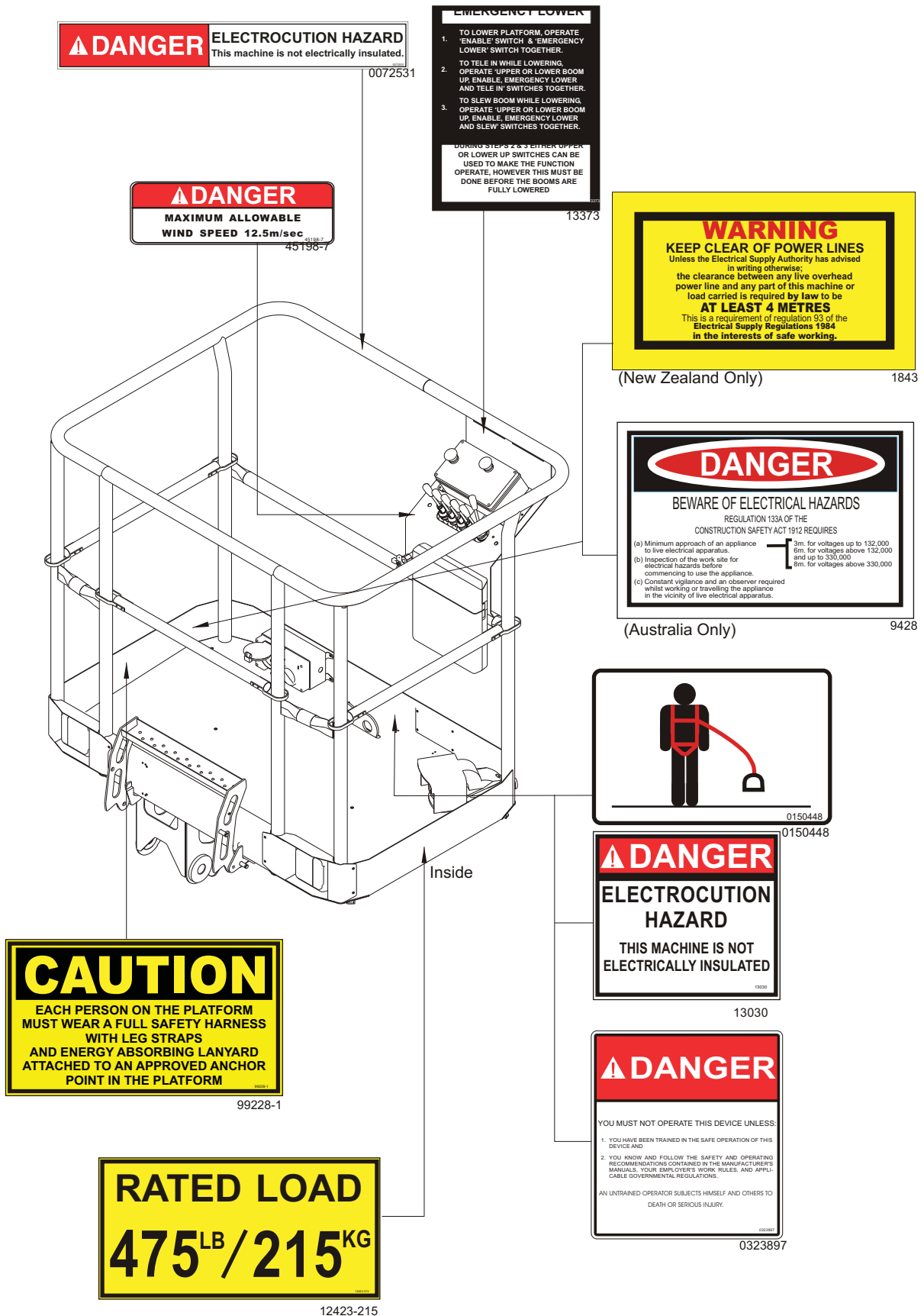
From time to time certain Snorkel decals may be deleted, altered or replaced, or new decals may be added in line with new safety regulations or machine specification changes.

If you are unsure or want to check a particular decal or its placement on the machine contact your nearest Snorkel dealer or the Snorkel website.



# 1. Safety





# 1. Safety

---



### ■ Safety Device Information

For emergency operation controls and procedures, see the “Emergency Operation” chapter 9, in this manual.

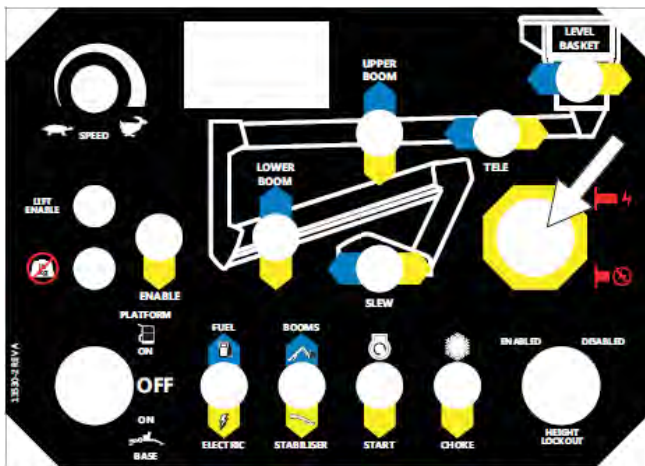
The Devices listed in this chapter are safety devices. They are on the MHP to increase safety in the workplace for both the operator and other people near the MHP.

### ⚠ CAUTION

**DO NOT** bypass, disable, modify, or ignore any of these devices. Check them carefully at the start of each work shift to see that they are in working order (see “Pre-Operational Inspection” chapter 7). If any is found to be defective, remove the MHP from service immediately until a qualified service technician can make repairs.

### ■ Emergency Stop Switches

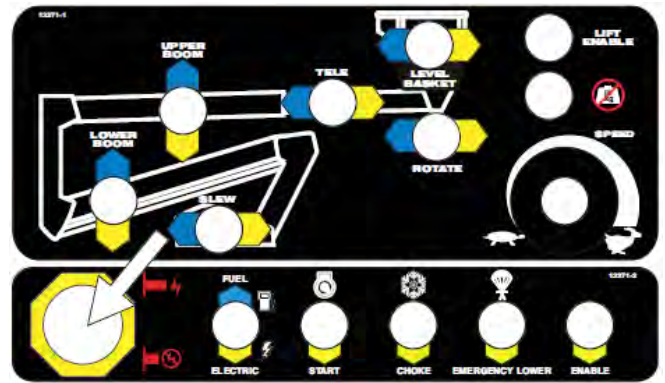
#### □ At ground control box



**Figure 2.1 - Emergency Stop Switch at Ground Control Box**

Press the red EMERGENCY STOP button in, at any time, under any conditions, and the entire machine stops, and nothing moves. This switch must be out (on) for anything on the MHP to work. Pull the switch and it will pop out (on).

#### □ At platform control box



**Figure 2.2 - Emergency Stop Switch at Platform Control Box**

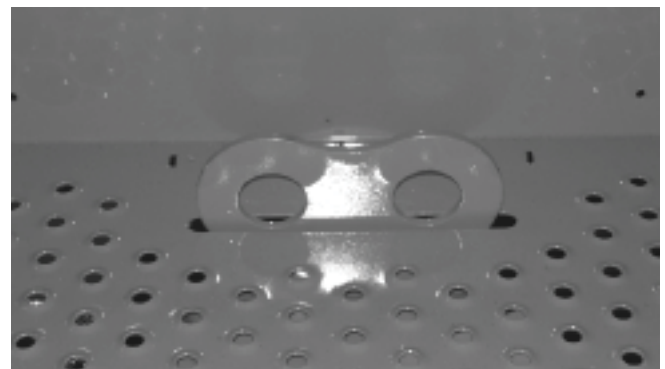
Press the red EMERGENCY STOP button in, at any time, under any conditions, and the entire machine stops, and nothing moves. This switch must be out (on) for anything on the MHP to work. Pull the switch and it will pop out (on).

#### Note

The ground control box is designed to override the platform control box. If the platform control box EMERGENCY STOP switch is in (off) the ground control box can still be used to start and operate the machine.

### ■ Other Safety Devices

#### □ Lanyard anchor points



**Figure 2.3 - Lanyard Anchor Points**

All personnel on the platform should attach their safety harness lanyards to one of the lanyard anchor points.

The lanyard anchor points are located at the rear of the platform floor.

## 2. Safety Devices

### □ Gravity gates



**Figure 2.4 - Gravity Gates**

The gravity gates are the places in the platform guardrail system where you should enter and leave the platform. Raise the gate where you wish to enter and step under it onto the platform. Once you have entered the platform and attached your safety harness lanyard to an anchor point, check to see that the gravity gate has fallen back into place.

### □ Guardrails



**Figure 2.5 - Guardrails**

The guardrails help protect you from falling off the platform. Be sure the guard rails are properly installed and that the gravity gate is in place.

### □ Height restriction on the MHP13AT

The MHP13AT (in standard mode) is fitted with a restrictor in the upper hydraulic lift cylinder to keep the platform to a maximum height of 10.9m.

### □ 10.9m height restriction kit (option)

This kit may be fitted to machines manufactured for the Australian market.

It is fitted to restrict the maximum height to the platform floor to 10.9m from the ground. This is to allow the unit to be operated by unlicensed operators in accordance with Australian Legislation.

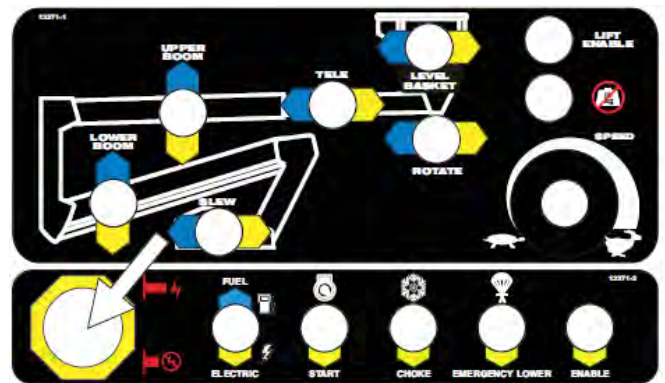
### Note - Height Restriction Kit

See the Options chapter page 6 for details concerning this kit.

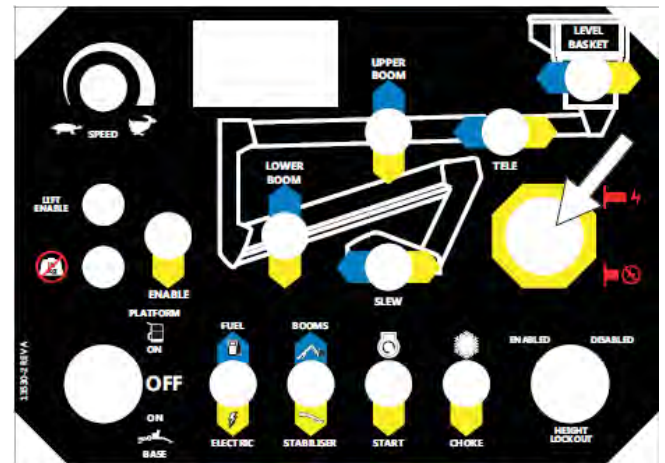
### □ Enable switch

The enable switch must be operated in conjunction with the boom/platform moving function you select. The purpose of this switch is to prevent the platform from moving if somebody or something accidentally pushes one of the boom/platform moving controls.

There are enable switches fitted to both the upper and lower control boxes.



**Figure 2.6 - Enable Switch, Upper Control Box**



**Figure 2.7 - Enable Switch, Lower Control Box**

### □ Enable switch (foot) - Optional



**Figure 2.8 - Enable Switch (Foot)**

The foot switch performs the same function as the standard enable switch described above. Stepping on the foot switch is an action that must be performed, at the same time as another action, to make the booms/platform move.

#### Note

If you have the optional foot switch fitted the enable switches on the upper control box and ground control box will still function.

### ■ Platform Overload Protection

As soon as either boom is raised out of the travel cradle (a boom stowed switch changes state) the overload protection system becomes active.

- If 90% of rated capacity is reached in the platform the overload light will illuminate.

This is a warning to the operator that the platform is reaching rated capacity.

Normal function will remain and the machine can continue to be used.

- If 100% of rated capacity is reached in the platform, the overload light will continue to illuminate and an alarm will sound.

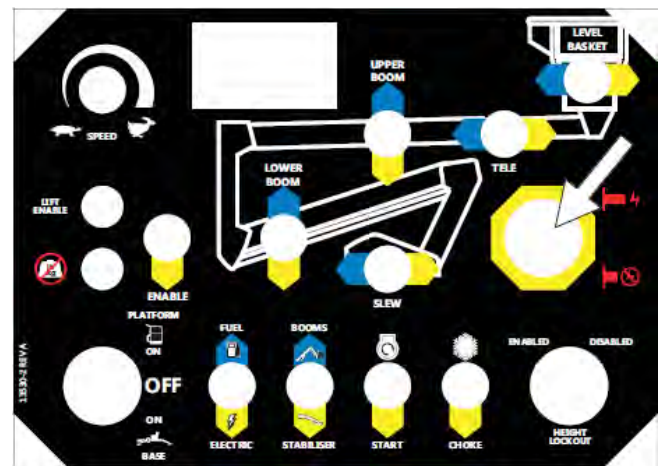
This is a warning to the operator that rated capacity has been reached and the platform load must be reduced.

Normal function will remain to allow the platform to be positioned to remove some load from the platform.

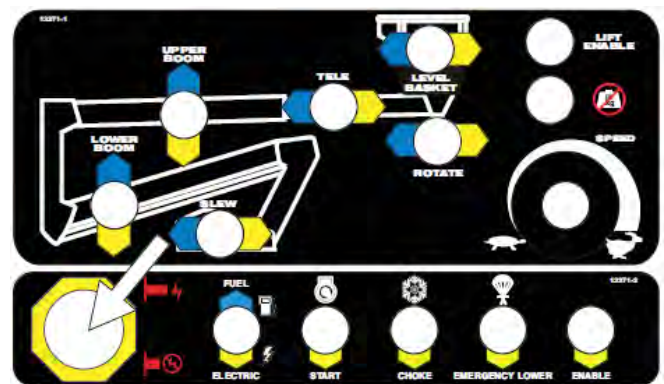
- If 110% of rated capacity is reached in the platform the overload light will continue to illuminate and an alarm will continue to sound and all functions will be disabled.

The operator must remove load from the platform.

Normal function will resume once the platform load has been reduced below 110% for at least two (2) seconds.



**Figure 2.9 - Overload Indicator, Lower Control Box**



**Figure 2.10 - Overload Indicator, Upper Control Box**

### □ Bubble level

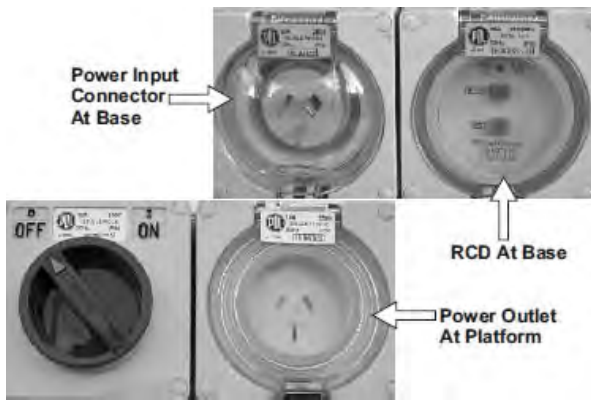


**Figure 2.11 - Bubble Level**

A bubble level is located on the trailer side rail, beside the outrigger controls. Watch the bubble level while you set the stabilisers. Lower the stabilisers one at a time, just enough to center the bubble in the middle piece of the gauge. When the bubble is centered the platform is level and can be safely raised.

## 2. Safety Devices

### RCD/ELCB AC outlet (Option)



**Figure 2.12 - RCD/ELCB AC Outlet,  
Vertical Mounting**

The RCD (Residual Current Device) is located at the base and will protect against short circuits to earth. When there is a short circuit the RCD will shut down the 230V AC power to the platform outlet.

To reset the outlet disconnect the power tool lead from the platform control box and reset the RCD at the base. If the problem persists call a trained service technician.

### ■ Stabiliser/Boom Interlock Test

All machines in the Snorkel 'MHP' Series of Trailer Mounted Elevated Work Platforms are fitted with a very important safety feature, a 'Stabiliser/Boom Interlock' system that prevents the booms being elevated to an unsafe position unless all four stabilisers have been correctly set and have made firm contact with the ground.

### **▲ IMPORTANT**

**The correct operation of the Stabiliser/Boom Interlock is critical to ensure that the MHP is operated safely and without risk.**

Detailed instructions on how to carry out a test to ensure that this function is working correctly are provided at the beginning of the Pre-Operational Inspection chapter in this manual.

### Flashing light (Option)

The flashing light alerts people that the booms / platform of the MHP are moving. The light flashes at about one flash per second any time the Master Key switch is on. There is no On/Off switch for the flashing light, it cannot be turned off while the MHP is running.

The Snorkel MHP14AT / MHP13AT are boom supported elevating work platforms built to conform to Australian Standard AS1418-10 Elevating Work Platforms.

### Note

For further details regarding lubricants, maintenance schedules and service please refer to the Maintenance and Repair Parts Manual for this machine.

### ■ General Specifications

### ■ Specifications MHP14AT

SPECIFICATIONS	MHP14AT	
Nominal working height	13.5m	44.3'
Maximum height to basket floor	11.5m	37.7'
Maximum outreach	6.4m	21.0'
Maximum width of base		
Stabilisers retracted	1.6m	5.2'
Stabilisers extended	3.6m	11.8'
Safe working load (unrestricted)	215kg	474lbs
Platform size	1.15 x 0.70m	3.8' x 2.3'
Construction	Steel	Steel
Travelling height	2m	6.6'
Overall length	4.7m	15.4'
Maximum towing speed	80km/h	50mph
Turntable rotation	540° Non continuous	
Trailer tongue weight (approximately)	Less than 100kg	Less than 225lbs
Maximum rated axle capacity	2000kg	4409lbs
Insulation rating	Nil (on standard models)	
Weight	1460kg (Petrol model)	3218lbs (Petrol model)
Allowable manual force	400N	
Maximum permitted chassis inclination	1°/1°	
Maximum load on stabilisers	978kg	2156lb

### 3. Specifications

#### ■ Specifications MHP13AT

SPECIFICATIONS	MHP13AT	
Nominal working height	12.9m	42.3'
Maximum height to basket floor	10.9m	35.8'
Maximum outreach	6.4m	21.0'
Maximum width of base		
Stabilisers retracted	1.6m	5.2'
Stabilisers extended	3.6m	11.8'
Safe working load (unrestricted)	215kg	474lbs
Platform size	1.15 x 0.70m	3.8' x 2.3'
Construction	Steel	Steel
Travelling height	2m	6.6'
Overall length	4.7m	15.4'
Maximum towing speed	80km/h	50mph
Turntable rotation	540° Non continuous	
Trailer tongue weight (approximately)	Less than 100kg	Less than 225lbs
Maximum rated axle capacity	2000kg	4409lbs
Insulation rating	Nil (on standard models)	
Weight	1460kg (Petrol model)	3218lbs (Petrol model)
Allowable manual force	400N	
Maximum permitted chassis inclination	1°/1°	
Maximum load on stabilisers	978kg	2156lb

#### □ Recommended hydraulic oil

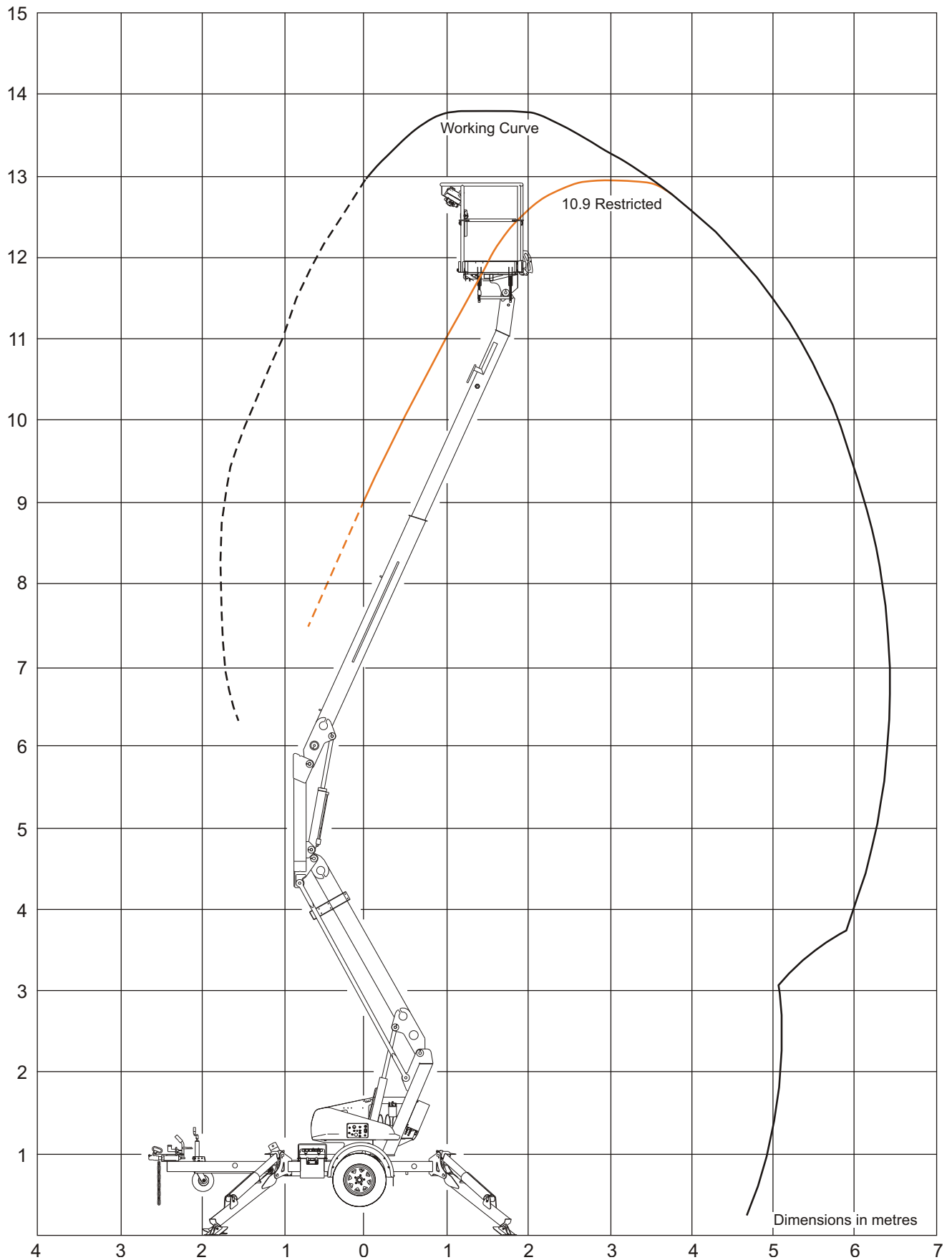
Shell Tellus 32 or Castrol AWS 32 or similar.

#### ■ Engine Data

Engine Make	Honda (gasoline)
Model	GX 160
Engine type	4-stroke, over head valve, 1 cylinder
Displacement	163 cm <sup>3</sup> (9.9 cu-in)
Bore x Stroke	68 x 45 mm (2.7 x 1.8 in)
Max. output	4 kW/4,000 rpm
Max. torque	1.1 kg-m (8.0 ft-lb)/ 2500 rpm
Fuel	gasoline
Fuel Grade	automotive gasoline (unleaded or low leaded preferred)
Fuel consumption	230 g/PSh
Cooling system	Forced air
Ignition system	Transistor magneto
PTO shaft rotation	Counterclockwise
Oil Capacity	0.60 litres (0.60 US qt, 0.53 Imp qt)
Oil Grade	SAE 10W-30

### 3. Specifications

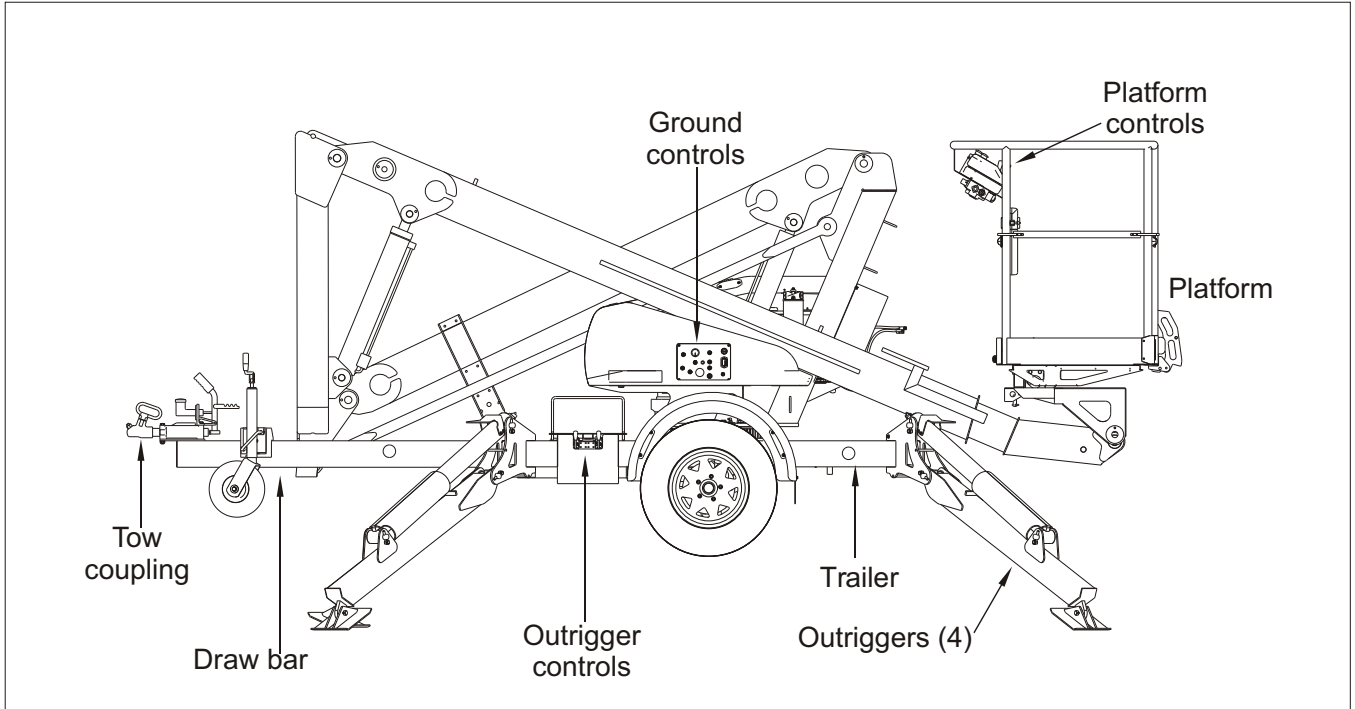
#### ■ Working Envelope - MHP14AT, MHP13AT



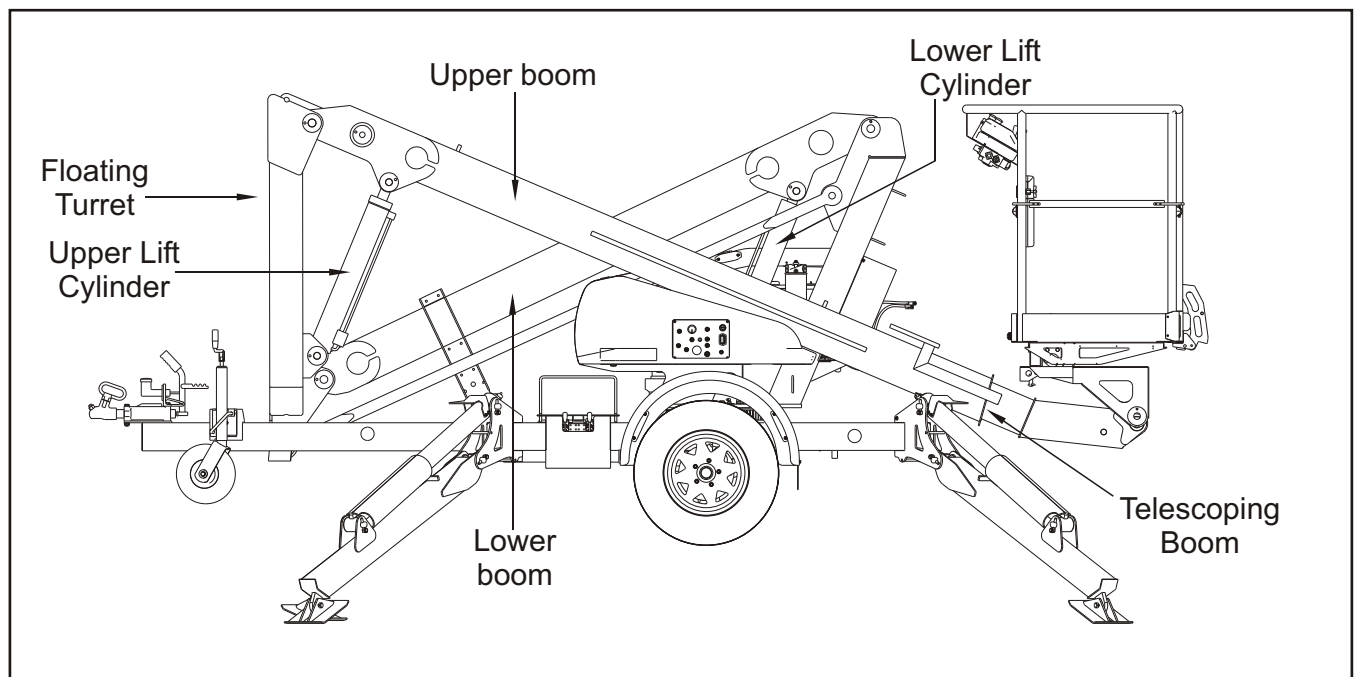


#### ■ Nomenclature

#### □ Right side view of machine

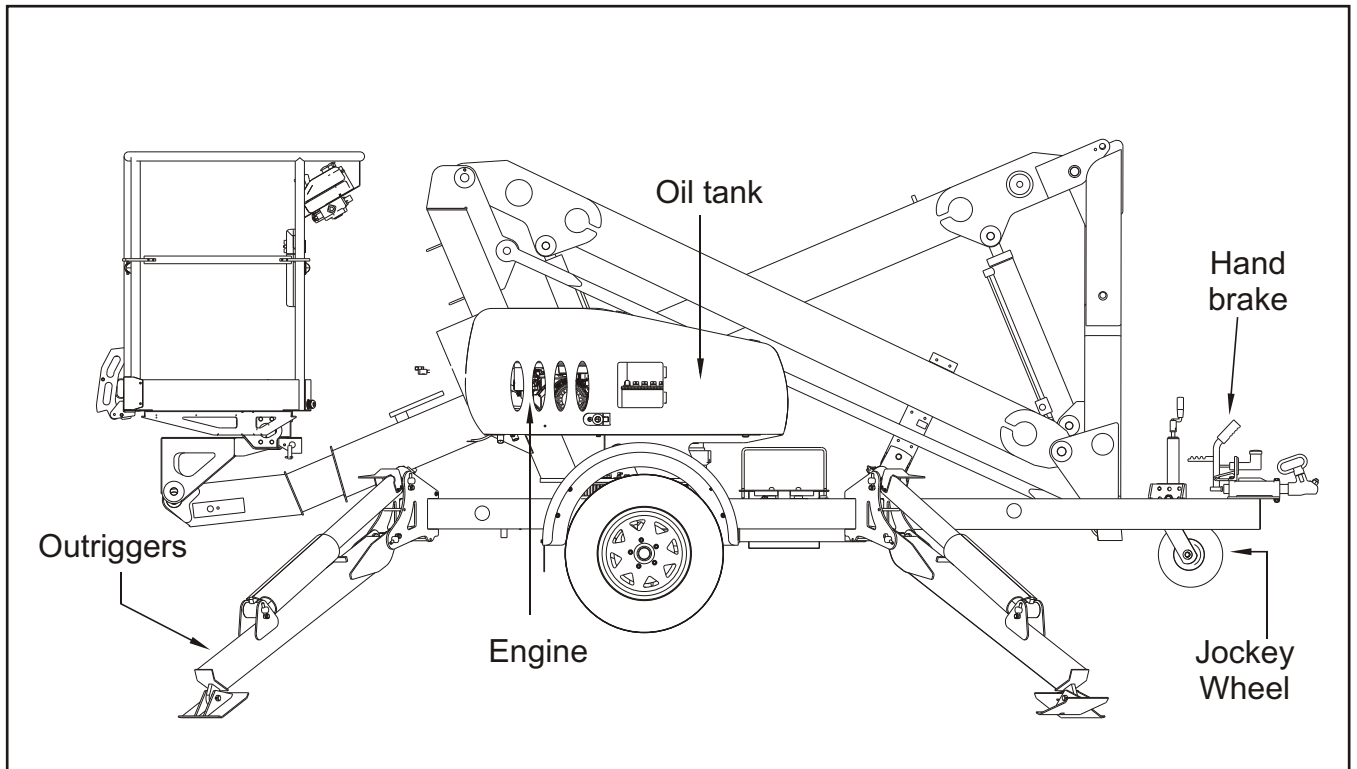


#### □ Booms identification

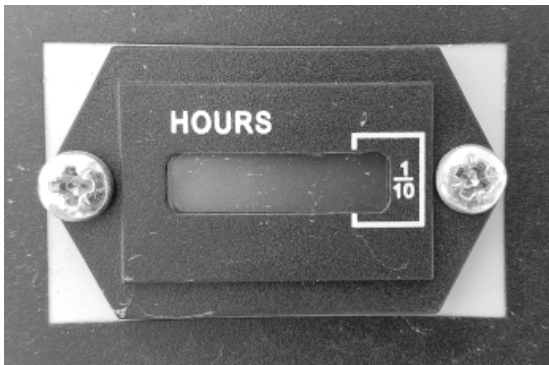


### 3. Specifications

□ Left side view of the machine



### ■ Hourmeter



**Figure 4.1 - Hourmeter**

The hourmeter is basically an electric clock. It accumulates time when the master key switch is turned on. The hour meter cannot be reset. An MHP qualified service technician can use it to tell when it is time for the periodic maintenance listed in the maintenance manual.

### ■ Level Bubble



**Figure 4.2 - Level Bubble**

A level bubble is mounted on the trailer base. Watch the bubble while you set the stabilisers. Lower the stabilisers, front ones first, one (1) at a time just enough to center the bubble in the middle on top of the gauge. When the bubble is central the platform is level and the platform can be safely raised.

### ■ Hydraulic Oil Level



**Figure 4.3 - Hydraulic Oil Level**

The hydraulic oil level gauge is attached to the side of the hydraulic tank. Read it only when the booms are fully lowered and the stabilisers are raised in the travel position.

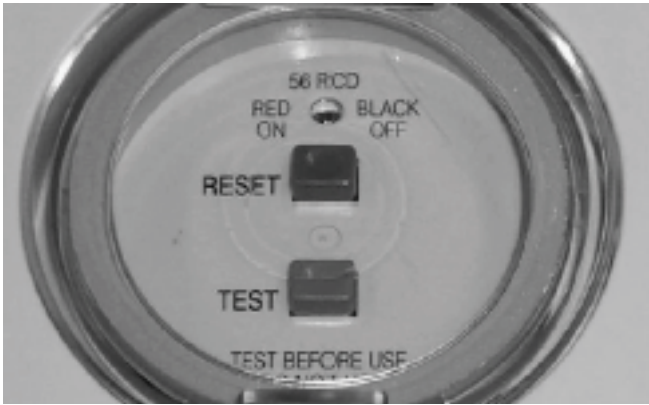
The hydraulic oil level should be between the two (2) marks on the decal.

If necessary, add hydraulic oil at the filler cap. See the 'Specifications' chapter 3, for type and grade of hydraulic oil.

## 4. Gauges

---

### ■ RCD/ELCB Outlet (Option)



**Figure 5.1 - RCD/ELCB Outlet**

The RCD (Residual Current Device) is located at the base and will protect against short circuits to earth. When there is a short circuit the RCD will shut down the 230V AC power to the platform outlet.

To reset the outlet disconnect the power tool lead from the platform box and reset the RCD at the base.

If the problem persists call a trained service technician.

### ■ Stabilisers



**Figure 5.2 - Stabilisers**

The MHP booms cannot be raised unless the stabilisers are set and the lift enable light on the lower control box is lit. Once the booms are raised from the stowed position the stabilisers become disabled until the booms are stowed in the travel position.

### ■ Electrical Circuit Protection

There is only one (1) fuse, on a standard MHP, that is accessible to the operator. Its purpose is to protect the electrical circuits from electrical overloads. When the fuse blows replace it with an identically rated fuse. If the fuse blows a second time, take the MHP out of service and refer to a qualified trained service technician for repair.

## **5. Shut-offs and Circuit Breakers**

## ■ Controls Description

This chapter explains what each control does.

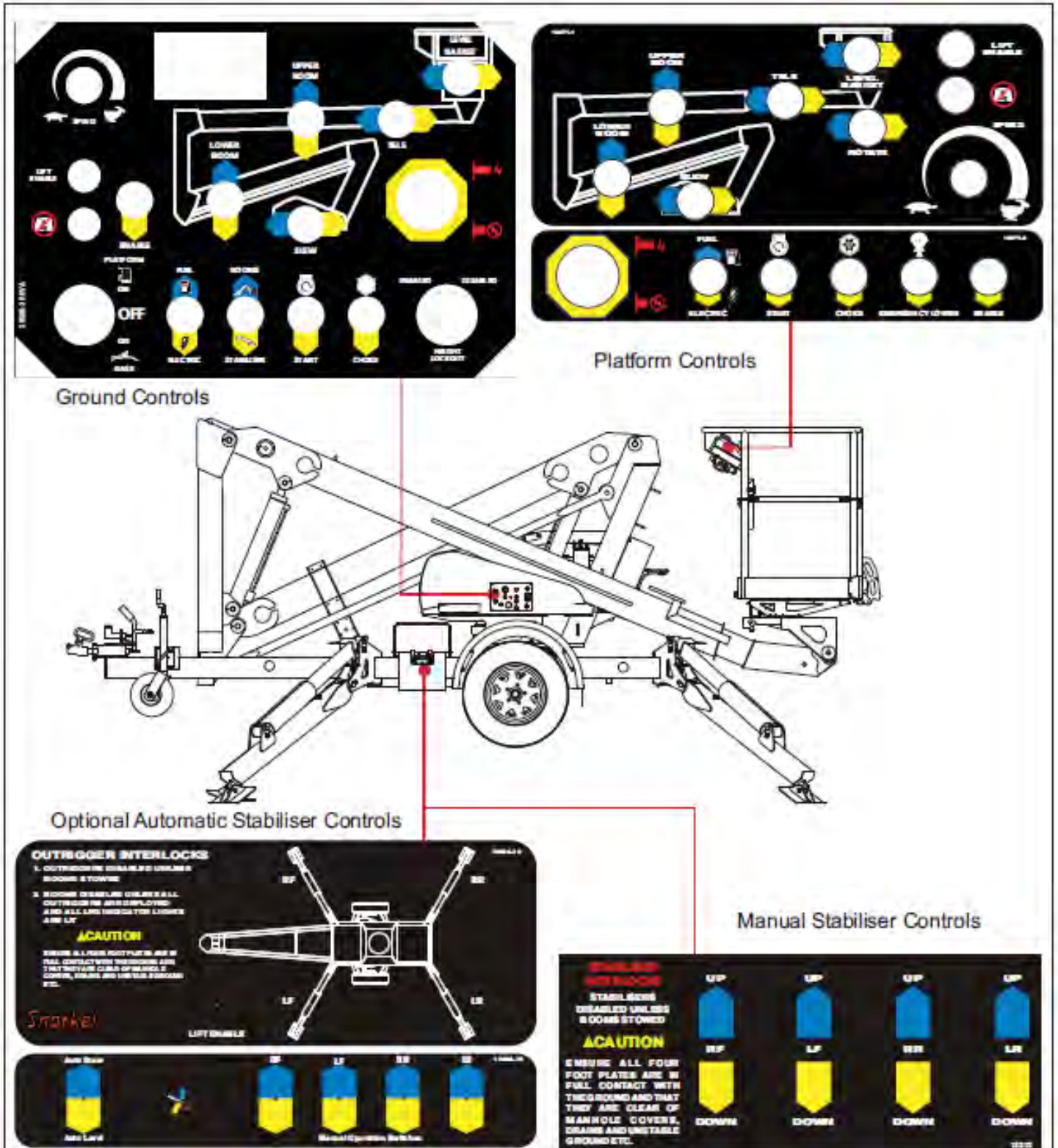
This chapter does not explain how to use the controls to produce useful work, refer to the "Operation" chapter 8 for that after you have read this chapter.

## □ Controls and control decal locations

For optional equipment controls, see the "Options" chapter 11.

See the "Emergency Operation" chapter 9-1 for the location of the emergency bleed down control and for correct emergency bleed down procedures.

The main operating functions of an MHP can be controlled from the ground control box or from the platform control box.



## 6. Controls

### ■ Ground Control Box

Controls for operating the MHP from the ground controls are located on the right side of the column.

#### □ Lower controls / indicators

- Emergency stop switch
- Platform / base selector switch
- Choke
- Master key switch
- Boom speed rheostat
- Stabiliser / boom selector switch
- Lower boom switch
- Upper boom switch
- Tele boom switch
- Level basket switch
- Slew switch
- Enable switch
- Lift enable indicator
- 10.9m height lockout switch (Option)
- Fuel / electric selector switch (Option)
- Overload protection indicator
- Emergency lower valve

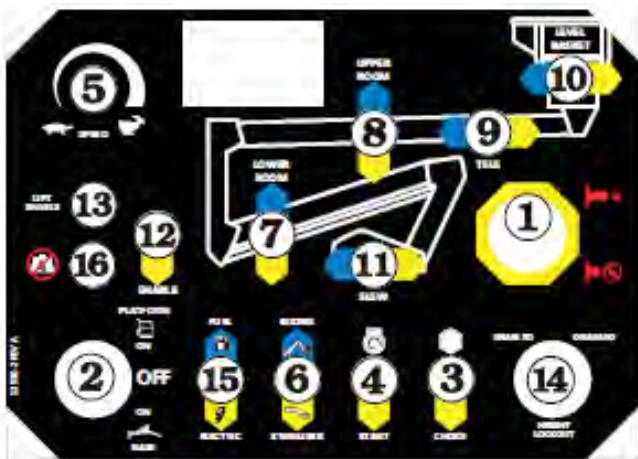


Figure 6.2 - Lower Control Box Controls

1. Emergency Stop: Press the red emergency stop button in at any time under any conditions, and the entire machine stops, and nothing moves. This switch must be out (on) for anything on the MHP to work. Pull the switch and it will pop out (on).
2. Platform / Base Selector: Must be in the base position for the ground control box to work. The switch must be in the platform position for the platform control box to work.
3. Choke / Cold start: Hold the switch down while you start an engine that is at ambient air temperature (a 'cold' engine). This will choke the engine.
4. Start switch: Press and hold this switch down to operate the starter motor for the MHP.
5. Boom Speed: This control determines how fast the booms move. Set it to slow (turtle) until you are very familiar with the way the machine works or if the platform is working in dangerous or cramped surroundings.
6. Stabiliser / Boom Selector Switch: Must be in Stabiliser position (down) for the stabilisers to work. Once the stabilisers are down and set the switch must be placed in the boom (up) position for the booms to work.
7. Lower Boom: Up raises the lower boom. Down lowers the lower boom.
8. Upper Boom: Up raises the upper boom. Down lowers the upper boom
9. Tele Boom: Left retracts the telescoping boom. Right extends the telescoping boom.
10. Level Basket: Left tilts the basket forwards. Right tilts the basket backwards.
11. Slew: Left rotates the entire turntable and boom to the left. Right rotates the entire turntable and boom to the right.
12. Enable Switch: The enable switch must be pressed down in conjunction with the booms / platform moving function you select. The purpose of this switch is to prevent the platform / booms from moving if something or someone accidentally pushes one of the boom / platforms moving controls. The boom / platform moving switches will not operate unless the enable switch is held down at the same time.

#### Note

This switch also acts as the 'master key switch'. Turning this key to the central position and removing the key will effectively disable all operations.

3. Choke / Cold start: Hold the switch down while you start an engine that is at ambient air temperature (a 'cold' engine). This will choke the engine.
4. Start switch: Press and hold this switch down to operate the starter motor for the MHP.
5. Boom Speed: This control determines how fast the booms move. Set it to slow (turtle) until you are very familiar with the way the machine works or if the platform is working in dangerous or cramped surroundings.
6. Stabiliser / Boom Selector Switch: Must be in Stabiliser position (down) for the stabilisers to work. Once the stabilisers are down and set the switch must be placed in the boom (up) position for the booms to work.

Control Switches 7 through 11 are the platform moving switches. Each is a three (3) position, momentary contact, normally off switch.

7. Lower Boom: Up raises the lower boom. Down lowers the lower boom.
8. Upper Boom: Up raises the upper boom. Down lowers the upper boom
9. Tele Boom: Left retracts the telescoping boom. Right extends the telescoping boom.
10. Level Basket: Left tilts the basket forwards. Right tilts the basket backwards.
11. Slew: Left rotates the entire turntable and boom to the left. Right rotates the entire turntable and boom to the right.
12. Enable Switch: The enable switch must be pressed down in conjunction with the booms / platform moving function you select. The purpose of this switch is to prevent the platform / booms from moving if something or someone accidentally pushes one of the boom / platforms moving controls. The boom / platform moving switches will not operate unless the enable switch is held down at the same time.



13. Lift Enable Indicator: The platform can only be raised when this light is lit. When this light is lit the platform will not raise because the stabilisers are not properly set.
14. Height Lockout Switch (option); This switch (when fitted) limits the maximum height of the boom to 10.9 meters (see options chapter page 6).
15. Fuel / Electric Selector Switch (Option): This switch (when fitted) allows switching between different motive sources. (See options chapter).
16. Emergency Lower Controls: Allows the platform to be lowered in the event of an emergency (see Chapter 9 Emergency Operation) for details of emergency lowering procedures.



**Figure 6.3 - Ground Controls, Emergency Bleed Down Control Valve, Lower Boom**



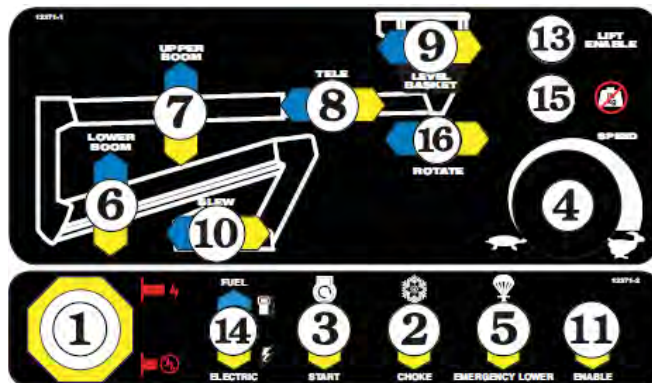
**Figure 6.4 - Ground Controls, Emergency Bleed Down Control Valve, Upper Boom**

## ■ Platform Control Box

Controls for operating the MHP from the platform (upper controls) are located on the platform control box, with the exception of the foot switch (option) which is on the platform floor and the manual basket rotator which is mounted on the front of the basket.

### □ Upper controls / indicators

- Emergency stop switch
- Choke
- Start switch
- Boom speed rheostat
- Emergency lower switch
- Lower boom switch
- Upper boom switch
- Tele boom switch
- Level basket switch
- Slew switch
- Enable switch
- Enable foot switch (option)
- Lift enable indicator
- Fuel / electric selector switch (option)
- Overload indicator
- Rotate switch (option)



**Figure 6.5 - Upper Control Box Controls**

1. Emergency Stop: Press the red emergency stop button in at any time under any conditions, and the entire machine stops, and nothing moves. The switch must be out (on) to start or run the MHP from the platform control box. Pull the switch and it will pop out (on). Press the switch in (off) if the platform is to stay in one position for a long time. That will turn the engine off and save fuel.
2. Choke / Cold Start: Hold the switch down while you start an engine that is at ambient air temperature (a 'cold' engine). This will choke the engine.
3. Start: Press and hold the switch down to operate the starter motor for the MHP.

## 6. Controls

4. Boom Speed: This control determines how fast the booms move. Set it to slow (turtle) until you are very familiar with the way the machine works or if the platform is working in dangerous or cramped surroundings.
5. Emergency Lower Controls: If the engine stops and cannot be restarted, or some other emergency prevents the platform being lowered in the normal way, operate the emergency lower switch and the enable switch together and this will cause the upper and lower booms to descend. To slew during the emergency lower operate the emergency lower, enable, upper or lower boom up and slew switches together. See chapter 9 'Emergency Operation' for details of emergency lowering procedures from the platform. Items 6 through 10 are the platform moving switches. Each is a three (3) position, momentary contact, normally off switch.
6. Lower Boom: Up raises the lower boom. Down lowers the lower boom.
7. Upper Boom: Up raises the upper boom. Down lowers the upper boom.
8. Tele Boom: Left retracts the telescoping boom. Right extends the telescoping boom.
9. Level Basket: Left tilts the basket forwards/ Right tilts the basket backwards.
10. Slew: Left rotates the entire turntable and boom to the left. Right rotates the entire turntable to the right.
11. Enable: the enable switch must be pressed down in conjunction with the boom/platform moving function you select. The purpose of this switch is to prevent the platform/booms from moving if something or someone accidentally pushes one of the moving controls. The booms/platform moving switches will not operate unless the enable switch is held down at the same time.
12. Enable Foot Switch (Option): The foot switch performs the same function as the standard enable switch described above. Stepping on the foot switch is an action that must be performed, at the same time as one of the boom/platform moving switches is operated.



**Figure 6.6 - Upper Controls - Foot Switch**

### Note

If you have the optional 'foot switch' this is an 'and' option and the enable switches on the lower & upper control boxes will still function.

13. Lift Enable Indicator: The platform can only be raised when the light is lit. When the light is not lit the platform will not raise because the outriggers are not properly set.
14. Fuel / Electric Selector Switch (Option): This switch (when fitted) allows switching between different motive sources (see options chapter).
16. Rotator Switch (Option): Left rotates the platform to the left. Right rotates the platform to the right.

### ■ Stabiliser Controls (Manual)



**Figure 6.7 - Stabiliser Controls (Manual)**

Boom / Stabiliser Switch: Ensure the boom / stabiliser switch on the lower control box is set to stabiliser (see item 6 on page 2 of this chapter).

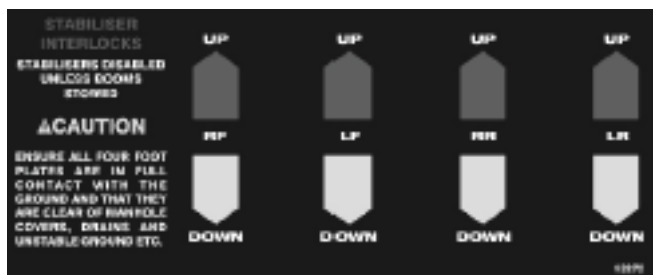


Figure 6.8 - Decal Stabiliser Controls (Manual)

#### Note

Ensure that the front stabilisers are lowered first to prevent damage to the jockey wheel.

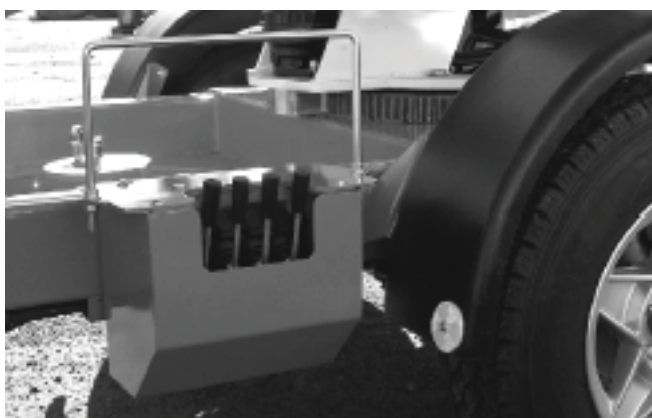


Figure 6.9 - Stabiliser Controls (Manual)

- Valve Levers: Operate the valve levers to activate the stabilisers and level the machine.
- Bubble Level: Use the bubble level to level the machine.



Figure 6.10 - Bubble Level

## Self Leveling Stabilisers (Option)



Figure 6.11 - Self Leveling Stabiliser Controls

1. Auto Level / Stow Switch: Select either auto level or auto stow, to raise or lower the stabilisers automatically.
2. Manual Stabiliser Switches: Operate the manual switches to manually raise or lower individual stabilisers.
3. Leg Indicator Lights: Illuminate when the legs are in contact with the ground.
4. Lift Enable Light: This is a duplicate of the lift enable light on the lower control box. The platform can only be raised when this light is lit. When the light is not lit the platform will not raise because the stabilisers are not set properly.

#### Note

Ensure that the front stabilisers are lowered first to prevent damage to the jockey wheel.

Activate the rear stabilisers and level the machine using the level bubble adjacent to the control levers.

### ⚠ IMPORTANT

Information on controls for non-standard features (options) are shown in the options chapter.

### ⚠ WARNING

Pinch points may exist between moving components. Death or serious injury can result from becoming trapped between components, buildings, structures or other obstacles. Make sure all personnel stand clear while operating the MHP.

## 6. Controls

---

## 7. Pre-Operational Inspection

At the start of each work day (or 8 hour shift) an MHP qualified operator must perform the Pre-Operational Inspection as listed in the table below.

The purpose of the Pre-Operational Inspection is to keep the MHP in proper working condition and to detect signs of malfunction at the earliest possible time.

This chapter shows how to perform the inspection and maintenance required for each item in the Pre-Operational Inspection table.

The MHP should be in the stowed position and the master key switch set to off before you begin this inspection.

Defective parts and/or equipment malfunctions jeopardize the safety of the operator and other personnel, and can cause damage to the machines.

### WARNING

**Do not operate an MHP that is known to be damaged or malfunctioning. Repair all equipment damage or malfunctions, before placing the MHP into service.**

#### ■ Pre-Operational Inspection Table

Item	Service Required
Stabiliser/Boom interlock test	Perform the test to ensure the system is functioning
Engine fuel level	Look to see that the fuel tank is full
Fuel tank cap	Check to see that the cap is tight
Engine oil level	Check oil level (between dipstick lines)
Fuel leaks	Visually inspect (hoses and connections)
Engine cooling	Check that grills are not blocked
Wiring harnesses	Visually inspect (installation, condition)
Battery terminals	Visually inspect (no corrosion)
Battery fluid level	Check fluid level (1/4" or 6 mm below filler neck)
Hydraulic oil level	Visually inspect level (between lines on decal)
Hydraulic oil leaks	Visually inspect (hoses, tubes)
Tires and wheels	Visually inspect (condition)
Tire pressure	Check pressure (measure)
Bolts and fasteners	Visually inspect (condition)
Structural damage and welds	Visually inspect (weld cracks, dents)
Lanyard anchor points	Visually inspect (condition)
Platform gravity gate	Check condition and operation
Platform guardrails	Visually inspect (condition)
Flashing light (option)	Visually inspect (operation)
Ground control switches	Actuate and inspect for proper operation
Ground control valve levers	Check operation (causes correct motion)
Ground emergency lower	Check operation (causes correct motion)
Emergency lower	Check operation (causes correct motion)
Platform control box switches	Actuate and inspect for proper operation
Platform emergency lower	Check operation (causes correct motion)
RCD/ELCB AC outlet (option)	Check operation
Platform work lights (option)	Check operation
Placards and decals	Visually inspect (installation, condition)
Platform entry ladder	Visually inspect (condition)

## 7. Pre-Operational Inspection

### ■ Stabiliser / Boom Interlock Test

All machines in the Snorkel MHP Series of Trailer Mounted Elevating Work Platforms are fitted with a very important safety feature, a 'Stabiliser / Boom Interlock' system that prevents the booms being elevated to an unsafe position unless all four stabilisers have been correctly set and have made firm contact with the ground.

This same safety feature also prevents the Stabilisers being operated while either or both booms are elevated.

The correct operation of the Stabiliser/Boom Interlock is critical to ensure that the MHP is operated safely and without risk.

### DANGER

**To ensure the interlock system is functioning correctly, before operating the MHP the following test MUST BE CARRIED OUT PRIOR TO OPERATION EACH DAY, in conjunction with all other relevant daily Pre-Operational checks.**

1. Position the machine on a firm level surface. Chock the wheels as required, engage the parking brake, and remove the machine from the towing vehicle.
2. From the base controls, start the engine and allow it to warm up. Remove the travel pins from both the upper and lower booms (as applicable to the model). Move the Stabiliser/Boom selector switch to 'Boom'.
3. Attempt to raise the Upper Boom; it must not rise out of the boom rest at all. Repeat this step for the Lower Boom. It must not rise at all either. If the booms will rise from the boom rest, proceed to Step 5.

### DANGER

4. If either boom rises from the boom rest and continues to rise higher than approximately 400mm, **stop the engine immediately!**

**Using the Emergency Lowering valve, lower the Boom into the boom rest, remove the machine from service and affix a Danger Tag warning others that the machine is not to be used.**

In the first instance contact the owner of who will then contact the Snorkel branch or authorised agent to inspect, repair and test the machine before allowing it

to be placed back into service.

5. Follow the correct procedure in the Operators manual for setting up the machine on the Stabilisers.
6. When the stabilisers are correctly set, the green Enable Lamp is lit and the machine is level, move the Stabiliser / Boom selector switch to 'Boom'.
7. From the base controls, raise the Upper Boom (no more than) approximately 400mm from the boom rest.

### IMPORTANT

**Move the Stabiliser / Boom selector switch to the 'Stabiliser' position.**

8. Using the stabiliser controls, operate one (1) of the Stabiliser control switches or levers (any one). There must be no corresponding movement of the stabiliser for the switch or lever used. If the stabiliser does not move, lower the Upper Boom back into the boom rest, and repeat steps 7 and 8 for the Lower Boom.
9. If there is no corresponding movement of the Stabilisers when Steps 7 and 8 are followed for both Booms, the Stabiliser / Boom Interlock circuit is functioning correctly and the machine can now be used safely as per the instructions in the Operations Manual

### DANGER

10. If there is a corresponding movement of any of the Stabilisers when Steps 7 and 8 are followed, **stop the engine immediately.**

**Using the Emergency Lowering valve, lower the Boom into the boom rest. Re-start the engine and fully retract all four stabilisers. Remove the machine from service and proceed as in Step 4.**

## 7. Pre-Operational Inspection

### ■ Engine Fuel Level



Figure 7.1 - Engine Fuel Level

Visually check to see that the gasoline tank is full. See the 'Specifications' chapter 3, fuel for octane and grade.

### ■ Fuel Tank Cap



Figure 7.2 - Engine Fuel Tank Cap

Check to see that the tank cap is in place and is tight.

### ■ Fuel Leaks

Visually inspect the Honda fuel tank and the entire length of the fuel line, from the engine to the fuel tank, for leaks.

### ■ Engine Oil Level

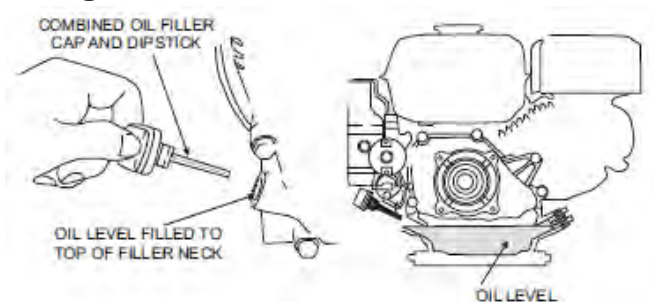


Figure 7.3 - Engine Oil Level

Remove the oil filler cap and wipe the dipstick clean. Insert the dipstick into the oil filler neck, but do not screw it in.

If the level is low, fill to the top of the oil filler neck with the recommended oil.

See the 'Specifications' chapter 3, for the correct engine oil grade and weight.

### ■ Operators Manual



Figure 7.4 - Operator Manual

Check that the operators manual is complete and in the holder on the platform.

### ■ Wiring Harnesses

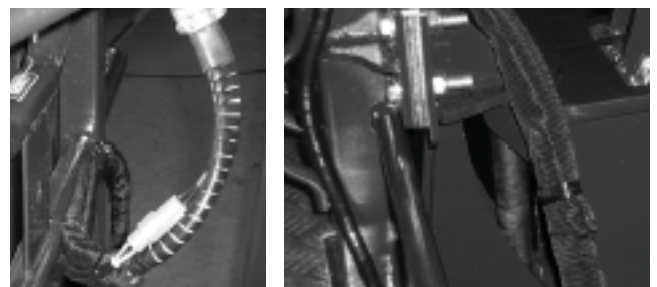


Figure 7.5 - Wiring Harness

Inspect all the wiring harnesses on the machine, for loose connections, broken wires and frayed insulation.

## 7. Pre-Operational Inspection

### ■ Battery Terminals



Figure 7.6 - Battery Terminals

Battery terminals should be tight, clean and free of dirt and corrosion.

### ■ Battery Fluid Level

#### ⚠ DANGER

Batteries emit hydrogen and oxygen, elements that can combine explosively.

Do not smoke or permit open flames or sparks when checking batteries.

When working around batteries, ALWAYS wear a face shield to avoid acid in the eyes. If acid contacts the eyes, flush immediately with clear water and get medical attention.



Figure 7.7 - Battery Fluid Level

Remove the caps from the battery and visually check to see that the battery fluid is 1/4" (6mm) below the bottom of the filler neck inside each hole

### ■ Hydraulic Oil Level

To check the hydraulic oil level:

Completely lower the booms and ensure the stabilisers are in the stowed position.



Figure 7.8 - Hydraulic Oil Level

The hydraulic oil level should be between the two (2) marks on the decal.

If necessary, add hydraulic oil at the filler cap (see figure 7.9). See the 'Specifications' chapter 3, for type and grade of hydraulic oil.

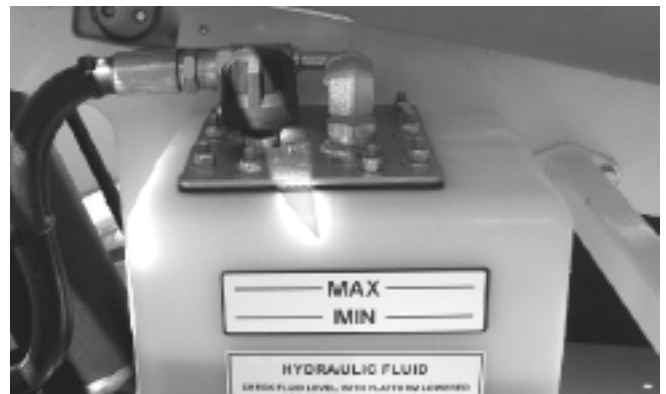


Figure 7.9 - Hydraulic Oil Add

### ■ Hydraulic Oil Leaks

#### ⚠ DANGER

Leaking hydraulic oil can cause burns, fires, falls (slipping), cuts and puncture wounds (if under high pressure). Do not search for leaks with your hand. Have a qualified trained maintenance person repair all hydraulic fluid leaks before you operate an MHP.

Hydraulic oil leaks are easily visible and can show up any place.

Visually inspect the entire machine for hydraulic oil. Check the ground under the machine for leaked oil.

Carefully inspect the ends of the upper and lower booms. Oil can run down inside of the booms and drip out the end.



## 7. Pre-Operational Inspection



**Figure 7.10 - Hydraulic Oil Leaks At Fittings And Hoses**

Inspect all fittings and hoses for leaks. Inspect hoses for signs of damage from chaffing or rubbing against protrusions on the chassis.

### ■ Bolts and Fasteners

Visually inspect all fasteners to see that none are missing or obviously loose.



**Figure 7.11 - Critical Pin Retainer Bolts**

Critical pin retainer bolts have lock tab washers fitted. They should all be present and not damaged in any way.



**Figure 7.12 - Wheel Nuts**

Pay particular attention to all of the wheel nuts and bolts. None should be visibly loose, missing or deformed.

Also inspect the wheel rim to ensure that it is not damaged or deformed, especially checking the recess where the wheel nuts are seated.

### ⚠ CAUTION

Do not over tighten the wheel nuts. Over tightened wheel nuts can damage or deform the wheel rim. This can lead to handling and stability problems when towing.

### ⚠ IMPORTANT

The correct torque setting for the MHP wheel nuts is 50 lb ft or 68 Nm. Do not tighten beyond these settings.

### ■ Wheels and Tyres

The MHP relies on its tyres for towing stability.



**Figure 7.13 - Tyre Condition**

Ensure tyre pressures are maintained according to the decal attached to the trailer behind the mudguard adjacent to the mounting bracket.

### □ Tyre pressure

Ensure tyre pressures are maintained according to the decal attached to the trailer behind the mudguard adjacent to the mounting bracket.

### ⚠ IMPORTANT

The correct tyre pressure for the MHP is 45psi or 310kPa (readings taken with cold tyres).

### Note

If you have this option fitted remember to check the condition and the tyre pressure of the spare wheel.

## 7. Pre-Operational Inspection

### ■ Structural Damage and Welds

Visually inspect all welds for cracks, all structural members for deformity.



**Figure 7.14 - Chassis Weld**

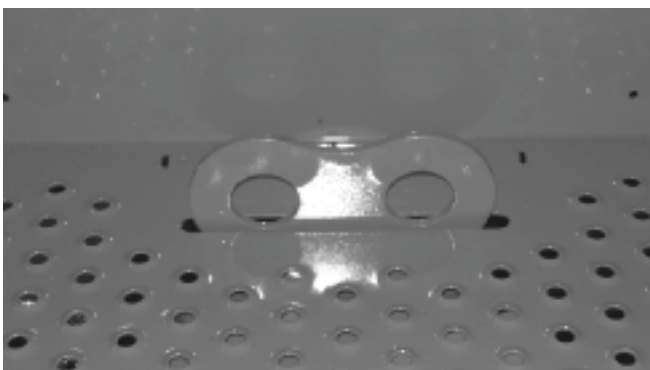
Pay particular attention to the chassis welds.



**Figure 7.15 - Boom Welds**

Closely inspect boom welds all the way around, for cracks.

### ■ Lanyard Anchor Points



**Figure 7.16 - Lanyard Anchor Points**

Visually check the lanyard anchor points to see that they are not deformed or cut off and that the securing bolts are tight and undamaged.

### ■ Platform Gravity Gates



**Figure 7.17 - Platform Gravity Gates**

Check to see that three gravity gates are present and function correctly.

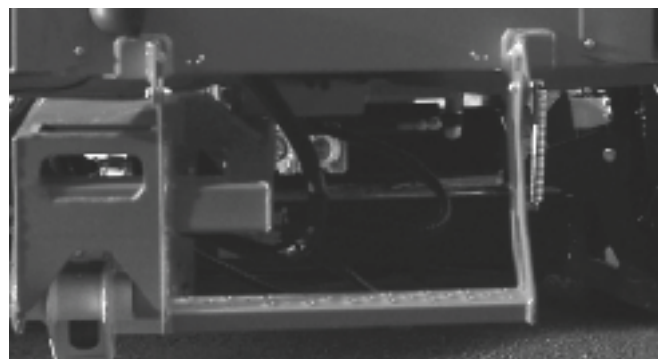
### ■ Platform Guardrails



**Figure 7.18 - Platform Guardrails**

Visually inspect the platform guardrails to see that none of the tubing has been cut out, removed, or deformed in any way. Visually check the guardrail welds to see that none are cracked or ground down.

### ■ Platform Access Step



**Figure 7.19 - Platform Access Step**

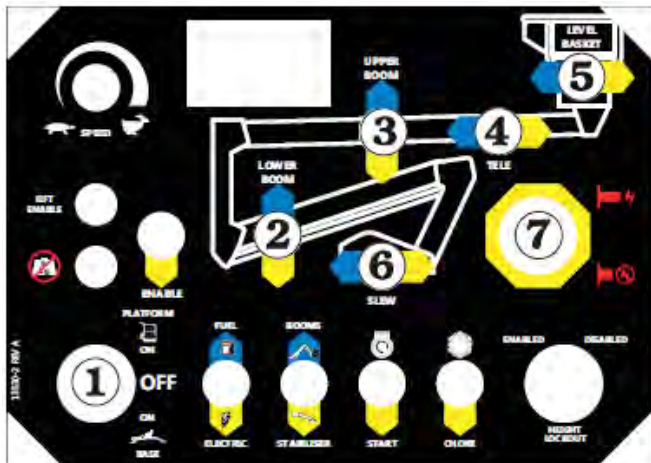
Check to see that the step structure is undamaged and that none of the fixing bolts are missing.

### ■ Flashing Light (Option)

Visually check the optional flashing light, to see that the light flashes at approximately one flash per second when the motor key switch is turned on.

Before proceeding with the next section of the Pre-Operational Inspection you will need to start the engine and set the stabilisers. Refer to the Operation chapter if you need assistance with this.

### ■ Ground Control Switches



**Figure 7.20 - Ground Control Switches**

With the Ground / Platform Selector (1) set to ground:

Check that each of the platform moving switches (2) through to (6) cause the MHP to move the way it should.

Check both positions of each switch.

For correct operating procedures see the 'Operation' chapter 8.

#### Note

Pay particular attention to the emergency stop switch (7) to see that it turns the MHP engine off when the button is struck.

### ■ Emergency Lower

There are two manual bleed down valves to operate from the ground position. One controls the descent of the lower boom and the other controls the descent of the upper boom. The lower boom must be lowered first.

### □ Ground station



**Figure 7.21.1 - Emergency Lower Valve, Controlling Lower Boom**

The valves are opened by pushing in the red knob and turning it anti-clockwise 180 degrees.

With the booms raised, open the valve on the lower boom (see figure 7.21.1). The boom should begin to lower.

When the lower boom has fully descended, open the valve for the upper boom (see figure 7.21.2). The boom should begin to lower.



**Figure 7.21.2 - Emergency Lower Valve, Controlling Upper Boom**

#### Note

The manual emergency lower valves must be closed after the test to ensure proper boom operation. This is achieved by pushing in the knurled red knob and turning it 180 degrees clockwise.

For full details on emergency lowering operating procedures see 'Emergency Operation' chapter 9.

### □ Upper control box

Emergency lowering from the upper control box is achieved by operating the Emergency Lower switches together.

With the booms raised operate the emergency lower and enable switches. The booms should begin to lower together.



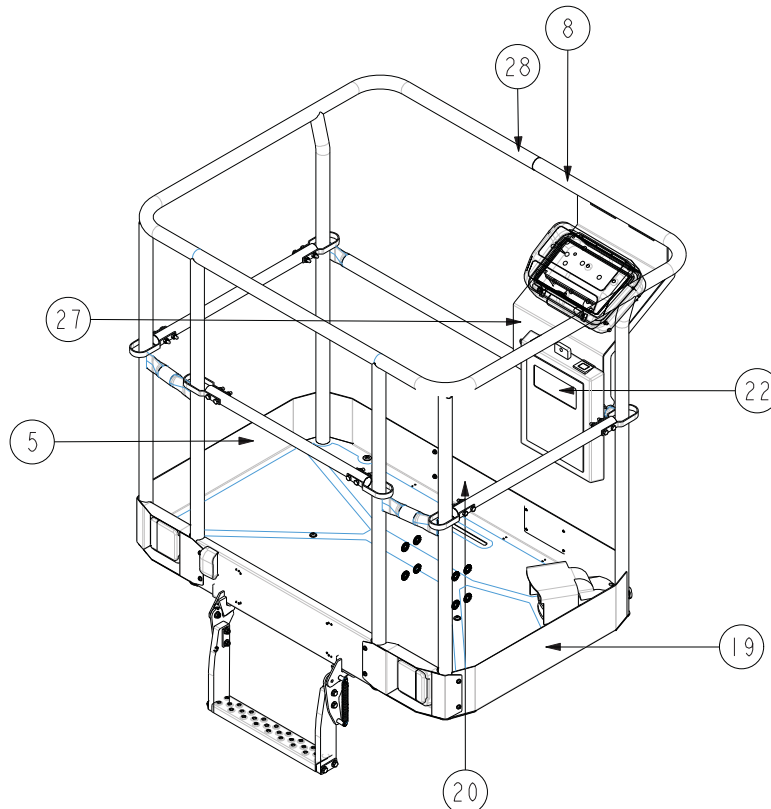
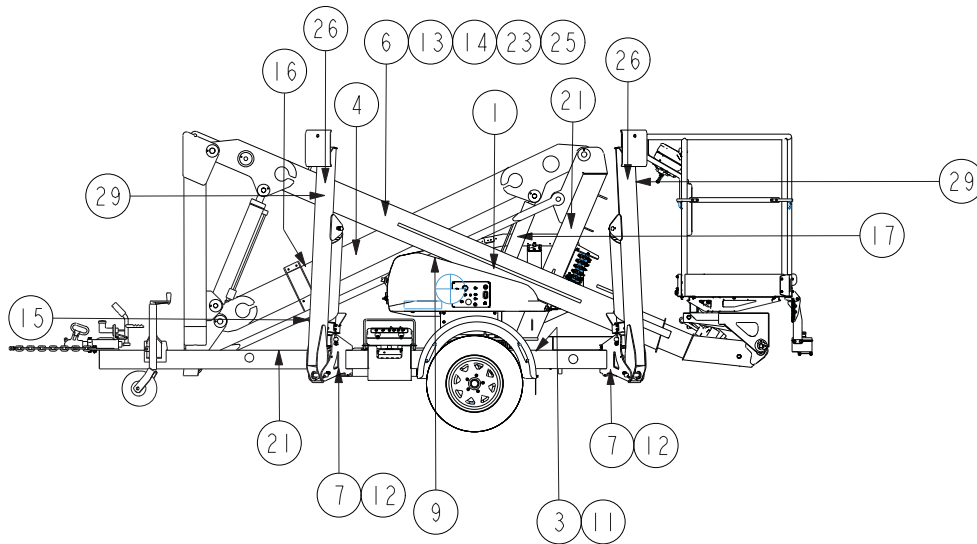
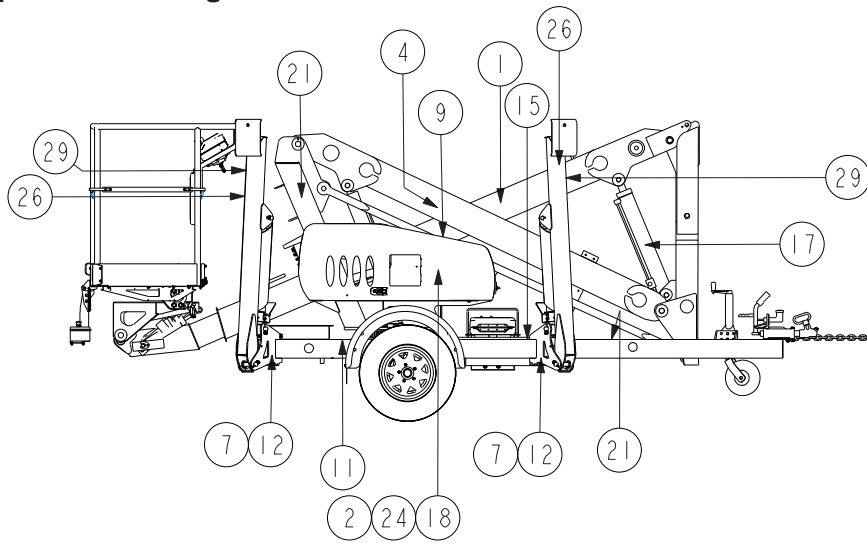


## 7. Pre-Operational Inspection

### Decal list

Item	Part No	Qty	Description
1	511067-000	2	Decal, Snorkellift.com logo
2	12814	1	Decal, Hydraulic fluid
3	12883-2	1	Placard, Serial number plate
4	13471-04	2	Decal, MHP14AT logo
5	1843	1	Decal, Warning, New Zealand only
6	300699	1	Decal, Operators checklist
7	45198-6	4	Decal, Do not disable limit switch
8	45198-7	1	Decal, Wind speed rating
9	302559	2	Decal, Danger pinch point
11	7856-45	2	Decal, Tyre pressure
12	0083426	4	Decal, Lifting and tie down
13	013-0025	1	Decal, Warning with stabilisers
14	12545	1	Decal, Auto stabiliser operation
15	13111	2	Decal, Danger pinch point
16	1772-002-K	1	Decal, Fit boom cradle lock pin
17	13276	2	Decal, Emergency bleed down valve operation
18	9213	1	Decal, Petrol
19	12423-215	1	Decal, Rated load
20	99228-1	1	Decal, Caution safety harness
21	015-0602	4	Decal, Danger keep clear of descending boom
22	562426	1	Decal, Operator manual enclosed
23	13183	1	Decal, Remove from towing vehicle before operating
24	302950	1	Decal, Hydraulic oil level
25	12617	1	Decal, Approved lift method
26	0080650	4	Decal, Shackle foot point
27	13373	1	Decal, Emergency lower from platform
28	0072531	1	Decal, Electrocution hazard
29	501453-000	4	Decal, Foot crush hazard

## □ Decal inspection drawing



## **7. Pre-Operational Inspection**



## ■ Operating Procedures

This chapter explains how to properly start and operate an MHP14AT/MHP13AT. Read and understand all the previous chapters in this manual before you begin to operate an MHP.

### ⚠ CAUTION

**Do not leave the MHP engine running if you are sandblasting. Sand drawn into the air intake can erode engine parts.**

## ■ Control Stations

An MHP can be operated from the ground control box or from the platform control box. There are basically two differences between ground control and platform control operations, both are safety related:

1. The ground control station can override the platform control station at any time. If a person operating the machine from a platform becomes incapacitated, a person on the ground can always take over machine control.
2. The stabilisers can only be selected from the ground control station and only when the booms are in the stowed position.

### ⚠ DANGER

**The MHP14AT / MHP13AT is not electrically insulated in its standard form.**

**Death or serious injury to operating personnel, can occur if the machine should come into contact with energised electrical wires during operation.**

**Do not attempt to operate the MHP14AT/MHP13AT ground controls if the platform, booms or any other conducting part of an MHP is in contact with energised electrical wires or if there is an immediate danger of such contact.**

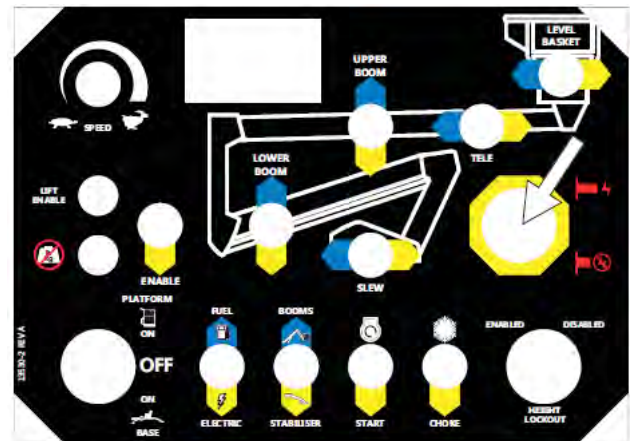
#### Note

See the 'Electrical Hazard' section in this manual for complete explanation of the hazards concerning electricity.

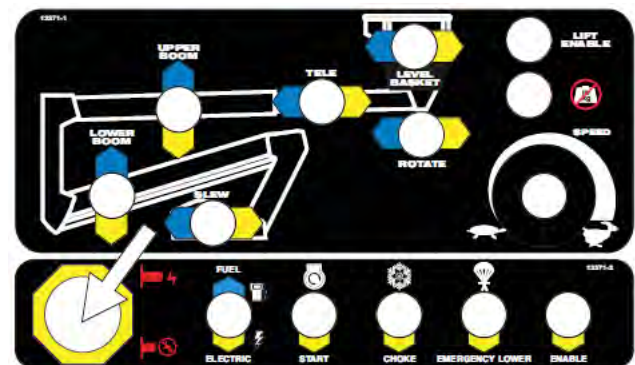
## ■ Emergency Stopping

To stop an MHP, press the red emergency stop button in, on either the ground control box or the platform control box.

## ■ Emergency Stopping



**Figure 8.1 - Ground Control Box Emergency Stop Switch Location**



**Figure 8.2 - Platform Control Box Emergency Stop Switch Location**

#### Note

For a complete discussion of the emergency stop switches, see 'Controls' chapter 6, and 'Emergency Operation' chapter 9 in this manual.

## ■ Operation Considerations

To use this chapter, first decide whether you will be starting and operating the MHP from the ground control box or the platform control box.

## ■ Stabiliser Operation

### Note: All Stabiliser Operations

The stabilisers will only function when the platform is fully lowered and the booms are stowed. Once the booms are raised the stabilisers will not operate.

Once the platform is raised the stabilisers cannot be set or adjusted.

## 8. Operation

Before operating the stabilisers check to see that the ground controls conditions under the four stabiliser pads is firm, stable and unobstructed.

### **⚠ DANGER**

If the platform is up and the ground compresses unevenly under different stabiliser pads the MHP might fall over causing serious injury or death. Check the level bubble frequently during operation. If any movement of the bubble occurs, immediately lower the platform and readjust the stabilisers to re-center the bubble in the ring.

When using the stabilisers always check that all four are firmly on the ground and that they are clear of manhole covers, drains etc, which may collapse. If the ground is at all soft, steel plates at least 300mm x 300mm x 6mm should be placed under the feet to spread the weight.

### **⚠ DANGER**

Death or serious injury can result if an MHP tips over. Do not use the stabilisers to gain extra working height, they are not designed for that purpose. At least one of the stabilisers should raise the MHP above the ground - use the other three to level the MHP as necessary.

#### **Note: Operating The Stabilisers**

Before you can operate the stabilisers you need to start the engine. See 'Starting From Ground Control Box' on page 3.

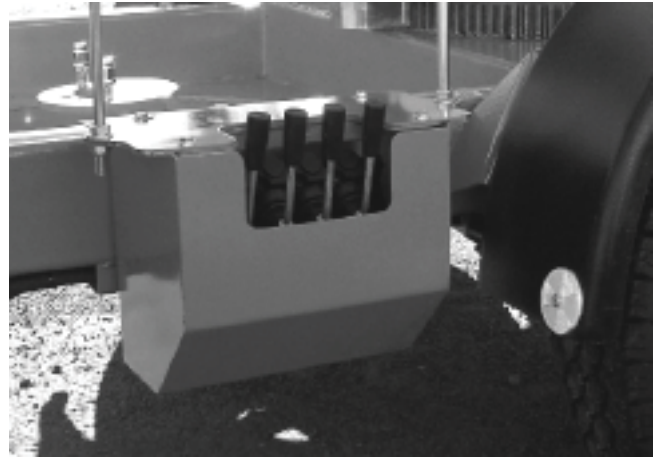
#### **□ Using the manual stabiliser valves**

Ensure the Boom / Stabiliser switch (item (5) on the ground control box) (see figure 8.7) is set to stabiliser.

Activate the stabilisers with the valve levers (downwards) (See figure 8.3).

#### **Note**

Ensure that the front stabilisers are lowered first to prevent damage to the jockey wheel.



**Figure 8.3**

Lower the rear stabilisers and level the machine using the level bubble (see figure 8.4) adjacent to the control levers.



**Figure 8.4**

### **⚠ WARNING**

When leveling the machine in either the manual or automatic mode care is required to ensure that all the foot plates are firmly on the ground, the machine is level and the lift enable light is on before entering the platform.

#### **□ Raising the manually operated stabilisers**

Raising the stabilisers is the reverse of setting the stabilisers.

Ensure that the Boom / Stabiliser switch is set to stabiliser.

Raise the stabilisers by activating the individual valve levers (upwards).

#### **Note**

Ensure that the rear stabilisers are raised first to prevent damage to the jockey wheel.

## ■ Self Leveling Stabilisers (Optional)

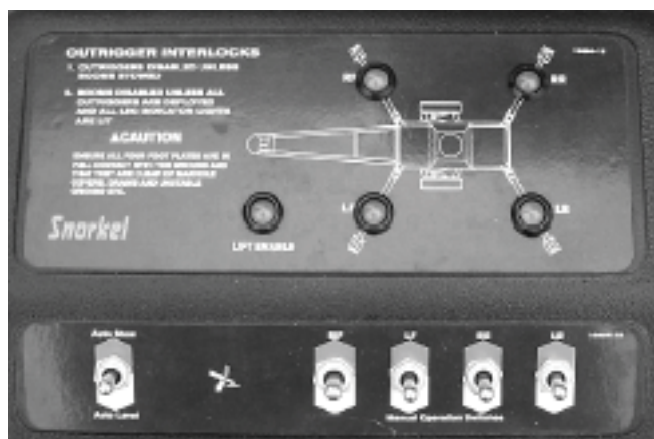


Figure 8.5 - Auto Level Controls

For units fitted with self leveling stabilisers the following applies:

- Press and hold down the auto level switch (1).

The stabilisers will lower and the machine will 'level' automatically.

### Note

Switch (1) is also used to raise the stabilisers to the stowed position. To do so press and hold switch (1) in the auto stow direction and all the stabilisers will raise automatically to the stowed position.

### Note

Although this option is primarily designed to automatically set the stabilisers it is also possible to set the stabilisers manually.

### □ Setting the stabilisers manually

- Operate each switch (2) (see figure 8.5) to raise or lower each stabiliser one at a time. Use the level bubble (see figure 8.4) to check the machine is level.

## ⚠ WARNING

When leveling the machine in either the manual or automatic mode care is required to ensure that all the foot plates are firmly on the ground, the machine is level and the lift enable light is on before entering the platform.

## ■ Unlocking The Boom

The boom lock pin must be removed before operating the booms (see figure 8.6).

## ⚠ IMPORTANT

Failure to remove the boom lock pin before attempting to raise the booms could result in damage to the machines.

Remove the pin keeper (1) and then remove the pin (2) from the boom cradle lock (3).



Figure 8.6 - Boom Cradle Lock

## ■ Starting From The Ground Control Box

Before you begin to operate the mHP from the ground control box, a qualified operator must perform the 'Pre-Operational Inspection' as described in chapter 7 of this manual.

To start the engine from the ground control box do the following:

1. Set the emergency stop switch (1) to ON (see figure 8.7).

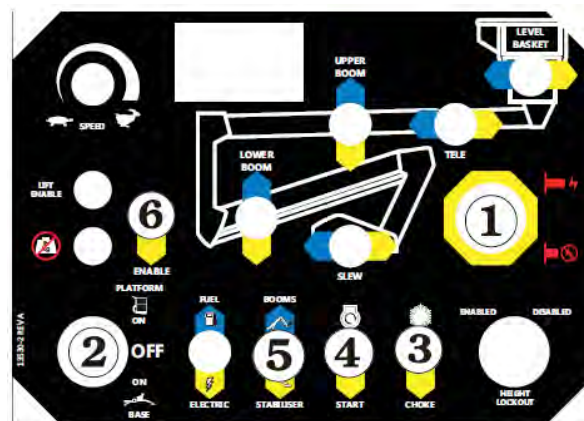


Figure 8.7 - Ground Control Box Starting

2. Insert the key and set the Platform / Ground selector switch (2) to ground (see figure 8.7).

## 8. Operation

3. If the engine is at ambient temperature (cold), hold the Choke / Cold Start switch (3) (see figure 8.7) down throughout the next step.
4. Press down on the Start switch and hold it there until the engine starts or for a maximum time of 6 seconds. When the engine starts release the start switch (4) and the choke switch (3), if you use it (see figure 8.7).

### ⚠ CAUTION

If the engine does not start in 6 seconds turn the key off and release the choke. Wait 60 seconds before trying to restart the engine again. Continual cranking of the starter motor will only result in its damage.

The engine should now be running, and the stabilisers need to be set before the MHP is ready to begin work.

#### ■ Starting From The Platform Control Box

Before you begin to operate the MHP from the platform control box, a qualified operator must perform the 'Pre-Operational Inspection' as described in chapter 7 of this manual.

To start the engine from the platform control box you must first set some switches on the ground control box, including setting the stabilisers and leveling the machine. (See page 8-2 for information on setting the stabilisers).

- Insert the key (1) into the Platform / Ground selector switch at the ground control box and select platform.

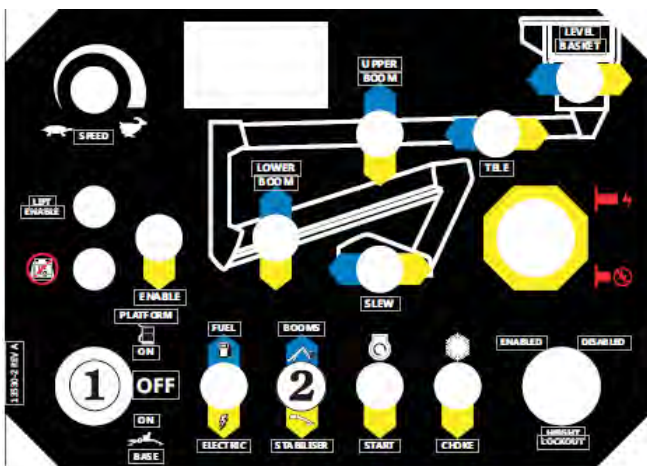


Figure 8.8

- Set the Boom / Stabiliser selector (2) to BOOMS.



Figure 8.9

- Enter the platform, close the gravity gate (3), and attach the lanyard of your safety harness to one of the anchor points (4) (see figure 8.9).

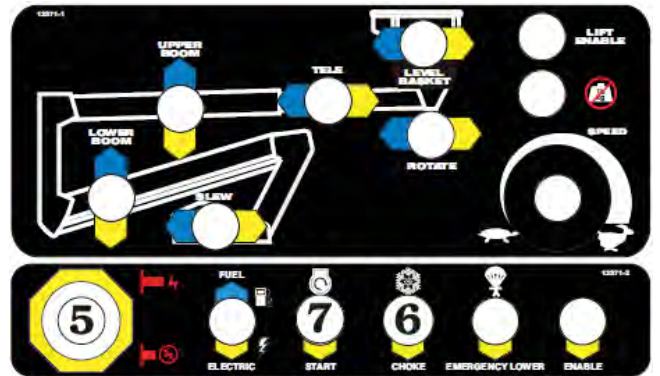


Figure 8.10

- Set the emergency stop switch (5) to (ON) (see figure 8.10).
- If the engine is at ambient temperature (cold), hold the choke switch (6) (see figure 8.10) down throughout the next step.
- Press down on the start switch and hold it there until the engine starts or for a maximum time of 6 seconds. When the engine starts release the start switch (7) and the choke switch (7), if you used it (see figure 8.7).

### ⚠ CAUTION

If the engine does not start in 6 seconds, release the start switch and release the choke. Wait 60 seconds before trying to restart the engine again. Continual cranking of the starter motor will only result in its damage.

The engine should now be running, and the MHP is ready to begin work.

### ■ Moving The Platform

The engine should already be running (as described earlier in this chapter), before you start this section.

### ⚠ DANGER

Do not operate near energised electrical conductors. Maintain the (M.S.A.D), Minimum Safe Approach Distance to energised power lines. See the 'Electrical Hazard' section, in this manual for a complete explanation of the hazards concerning electricity. Maintain the clearances shown on the decal attached to the platform.

### ⚠ WARNING

Be certain that the space into which you are about to move the platform, boom, turntable and/or chassis is free of obstructions. Always look in the direction of movement.

### ⚠ WARNING

When you operate from the platform control box, be sure that the lanyard of your safety harness is attached to an anchor point on the platform mount. Also, be sure that the platform gate is closed behind you..

#### □ From ground control box

Each of the platform movement switches is shown in the following photograph.

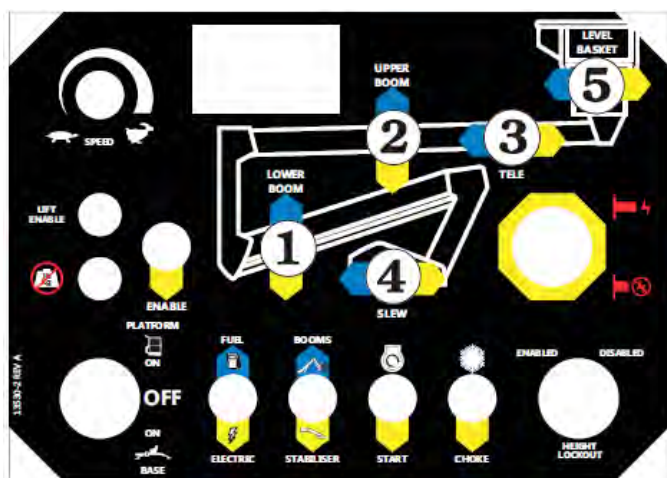


Figure 8.11 - Movement Control, Ground Control Box

These platform moving switches, ( 1) through ( 5) will produce the following movement.

1. Lower boom switch: Moving this switch up will raise the lower boom, whilst pressing it down will cause the lower boom to descend.
2. Upper boom switch: Moving this switch up will raise the upper boom, whilst pressing it down will cause the upper boom to descend.
3. Tele boom switch: Moving this switch right causes the telescopic boom to extend whilst moving it to the left causes the telescopic boom to retract.
4. Slew switch: Pressing this switch to the right causes the column / boom / platform assembly to rotate to the right, whilst pressing the switch to the left causes the column / boom / platform assembly to rotate to the left.
5. Platform level switch: Pressing the switch to the left causes the platform to tilt forward whilst moving the switch to the right causes the platform to tilt backwards.

### ⚠ IMPORTANT

You must operate the enable control in conjunction with the platform moving switches.

This is a safety feature to prevent the platform from moving if a platform moving switch, or controller is accidentally pushed.

#### □ From platform control box

### ⚠ WARNING

When you operate from the platform control box, be sure that the lanyard of your safety harness is attached to an anchor point on the platform mount.

Each of the platform movement switches is shown in the following photograph.

## 8. Operation

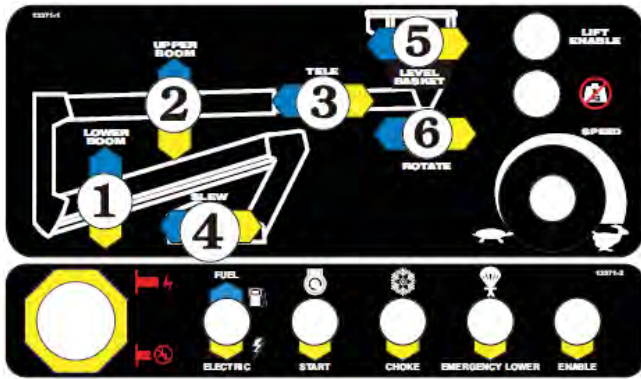


Figure 8.12 - Movement Control, Platform Control box

### ⚠ IMPORTANT

**You must operate the enable control, in conjunction with the platform moving switches.**

**This is a safety feature to prevent the platform from moving if a platform moving switch or controller is accidentally pushed.**

These platform moving switches ( (1) through (5) ) will produce the following movement.

1. Lower boom switch: Moving this switch up will raise the lower boom, whilst pressing it down will cause the lower boom to descend.
2. Upper boom switch: Moving this switch up will raise the upper boom, whilst pressing it down will cause the lower boom to descend.
3. Tele boom switch: Moving this switch to the right causes the telescopic boom to extend, whilst moving it to the left causes the telescopic boom to retract.
4. Slew switch: Pressing this switch to the left causes the column / boom / platform assembly to rotate to the right, whilst pressing the switch to the right causes the column / boom / platform assembly to rotate to the left.
5. Platform level switch: Pressing the switch to the left causes the platform to tilt forward whilst moving the switch to the right causes the platform to tilt backwards.
6. Platform rotate switch (option): Pressing the switch (when fitted) to the left rotates the platform to the left. Pressing the switch to the right rotates the platform to the right.

### ■ Securing For Day

At the end of each work day the MHP should be returned to the stowed position and locked as described under 'Stowing' in the 'Stowing and Transporting' chapter 10.

## ■ Emergency Operation Procedures

The following procedures are emergency procedures only. Do not use them for normal operation. Their purpose is to get the platform and operator safely to the ground when the MHP will not start or some other problem keeping the platform from lowering in the normal way.

## ■ Emergency Operation Procedures

- Operation from platform control box
- Ground control station settings

Switch settings listed in the two steps below must exist at the ground before emergency operation procedures will work at the platform control box.

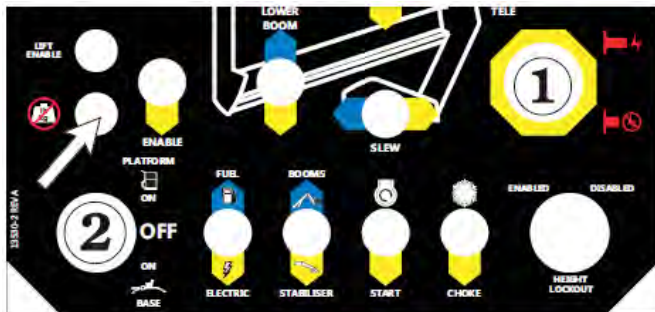


Figure 9.1 - Ground Control Box

1. The emergency stop switch (1) must be on (out) (see figure 9.1).
2. The Platform / Ground selector switch (2) (see figure 9.1) must be set to platform.

### Platform control station

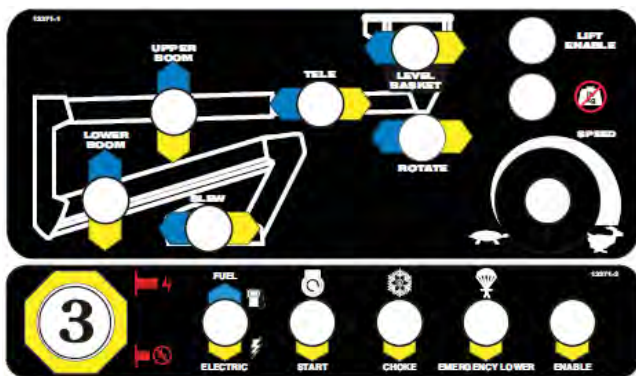


Figure 9.2 - Platform Control Box

3. Set the emergency stop switch (3) to ON (see figure 9.2).

## ⚠ IMPORTANT

The MHP14AT / MHP13AT has an enable switch fitted to the upper & lower control boxes (see chapter 6 for a full explanation of the operation of this switch).

Some machines will also be fitted with a foot operated enable switch. On those machines fitted with the foot switch option, both the switch on the control box and the foot switch perform the same function.

However it is assumed that for units fitted with a foot switch this will be the preferred method of operation.

If the foot operated enable switch option is installed on your machine go to step 4 - otherwise go to step 5.



Figure 9.3 - Foot Switch Option

4. Step on the Platform Foot switch (4) (see figure 9.3).

Go to step 6.

5. Operate the enable switch (5) by pressing the switch down and hold it down (see figure 9.4).

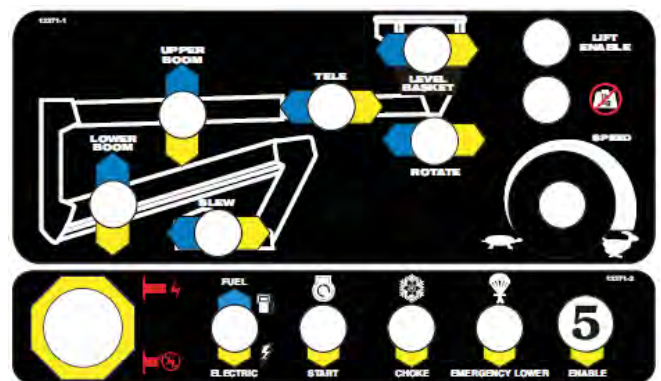


Figure 9.4 - Enable Switch

## 9. Emergency Operation

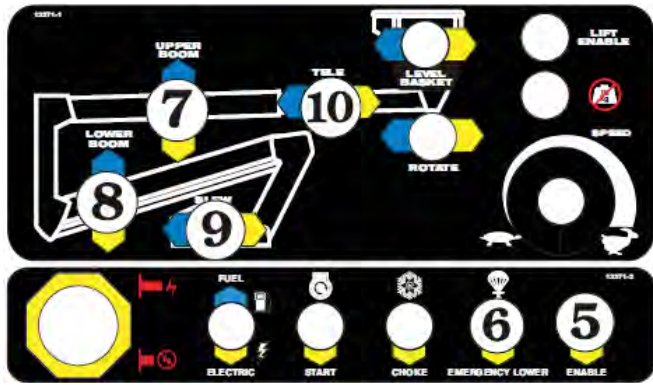


Figure 9.5 - Platform Control Box

6. Whilst still operating the enable switch, press and hold the emergency lower switch (6) down (see figure 9.5) and the booms will begin lowering.
7. To slew during the emergency lower the following switches (see figure 9.5) must be operated together.

Enable (5) or (4) (foot switch - figure 9.3)  
 Emergency lower (6)  
 Upper or lower boom up (7) or (8)  
 Slew (9)

8. To tele during emergency lower the following switches (see figure 9.5) must be operated together.

Enable (5) or (4) (foot switch - figure 9.3)  
 Emergency lower (6)  
 Upper or lower boom up (7) or (8)  
 Tele (10)

Both booms will descend at the same time when lowering.

### ⚠ IMPORTANT

**Slewing and / or telescoping the boom in must be completed before the booms are fully lowered.**

- ☐ Operation from the ground control position

### ⚠ CAUTION

**When performing this function, extreme care must be taken to ensure that the person carrying out the task does not become trapped by the structure as the booms descend.**

### ⚠ DANGER

**Do not, under any circumstances, climb down the elevating assembly to operate these valves.**

There are two main bleed down valves to operate from the ground position.

One controls the descent of the lower boom and the other controls the descend of the upper boom.

The lower boom must be lowered first.



Figure 9.6.1 - Manual Lower Valve, Lower Boom

1. Open the manual valve (1) to lower the lower boom (see figure 9.6.1). This valve is located at the base of the main lift cylinder. To operate this valve, push in the red knurled knob and turn it anti clockwise 180 degrees and release it. The lower boom will begin to descend.

When the lower boom has fully descended you can open the valve for the upper boom (see figure 9.6.2).



Figure 9.6.2 - Manual Lower Valve, Upper Boom

2. Open the manual valve to lower the upper boom. This valve is located at the base of the main lift cylinder for the upper boom in the floating turret. Operation of this valve is the same as for the previously described lower boom. The upper boom will begin to descend.



### Note

It is not possible to slew or telescope in during emergency lowering from the ground control station.



Figure 9.7 - Manual Lowering Procedure Decal

### IMPORTANT

At the completion of this operation the manual emergency bleed down valves for the upper and lower booms must be reset (closed). This is achieved by pushing each valve in and turning it clockwise 180 degrees and then releasing it.

Failure to do this will prevent normal operation of the booms and platform.

## 9. Emergency Operation

---

## ■ Stowing

At the end of each work day (or in preparation for lifting or storage) a qualified operator should put the MHP into its stowed position then lock by placing the boom lock pin in its position.

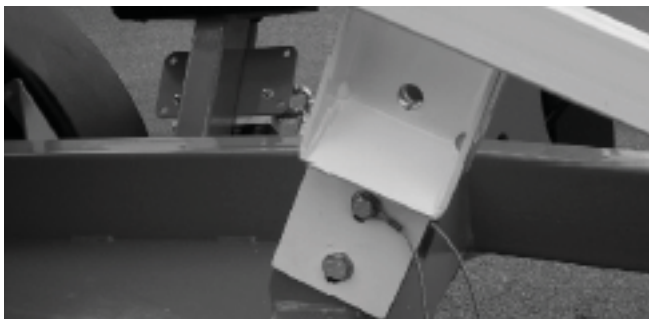
□ The correct stowing position is shown here



**Figure 10.1 - Stowed Position**

To bring the MHP into the stowed position use the controls on the ground control box or platform control box to:

1. Fully lower all booms.
2. Align the boom travel lock with the boom rest (1) mounted to the drawbar (see figure 10.2).



**Figure 10.2 - Locking The Booms**

3. Insert the boom pin (2) (see figure 10.3) and ensure the pin keeper (3) is correctly locked in place through the boom pin.



**Figure 10.3 - Boom Lock Pin**

## ■ Transporting

□ Trailering

When moving the MHP on a transport trailer the following points must be adhered to.

### ⚠ DANGER

1. The unit must be in the stowed position.
2. The boom lock must be in place.
3. Care must be taken when loading the unit onto the trailer that it does not run away. Chock the wheels and apply the handbrake.
4. The MHP14AT / MHP13AT can be loaded by forklift.

□ Securing top a Transport Vehicle

5. Tie down only with the 4 tie down lugs (see figure 10.4).



**Figure 10.4 - Tie Down Lugs**

### Note

The tie down lugs are located at each corner of the trailer, two at the front and two at the rear.

### ⚠ IMPORTANT

#### DO NOT

- Tie down over the drawbar.
- Tie down over the booms or level rods.
- Tie down over the platform.

Reverse the above procedure after transporting.

## 10. Stowing and Transporting

### ■ Towing

The correct size tow ball must be used when connecting the drawbar to the towing vehicle. The coupling is stamped with the correct size. Be aware of local transport regulations.

1. Visually inspect the tow ball on the towing vehicle.
2. Ensure the tow ball is matching in size with the tow coupling on the trailer.
3. Ensure the tow ball is mounted correctly and is fitted tightly.
4. Connect the tow coupling and ensure the latching mechanism is working and has latched.
5. Connect the break-away chain to the towing vehicle, unset the reversing lock on the tow coupling.
6. Check the bolt, D-Clamp or attaching device is able to take the rated load.
7. Connect the trailer road lights to the towing vehicle and test that the functions work.
8. Retract the jockey wheel and place it in the stowed position (see figure 10.5).



**Figure 10.5 - Stowed Jockey Wheel**

9. Check no debris or work tools are in the platform.

### **⚠ DANGER**

**Death or serious injury can result from losing control of a trailer when towing.**

**Never tow the unit with an under rated vehicle. Always check manufacturers vehicle load specifications.**

**The Boom Restraint must be in place whilst the trailer is being towed.**

## ■ Bi-Energy, Petrol/Diesel / 24V DC

These are various Bi-Energy options available for the MHP14AT / MHP13AT. The following describes the Petrol/ Diesel / 24V option.

This consists of a combination of both a gasoline or diesel engine and a 24V DC motor to give a Bi-Energy option.

Specifically a 24V DC motor is mounted on the column under the left hand side cover. This provides an alternative power source to the gasoline or diesel engine.

The DC motor is powered by four “Deep Cycle Traction Batteries” mounted 2 each side of the column and an automatic battery charger that is also mounted on the column.

### □ DC motor

The DC motor is mounted under the left had side cover (see figure 11.1).



**Figure 11.1 - DC Motor**

### □ DC motor operation

A Fuel / Electric switch is used to select either the gasoline / diesel engine or the DC motor.

This switch is mounted on the front of the lower control box (see figure 11.2).

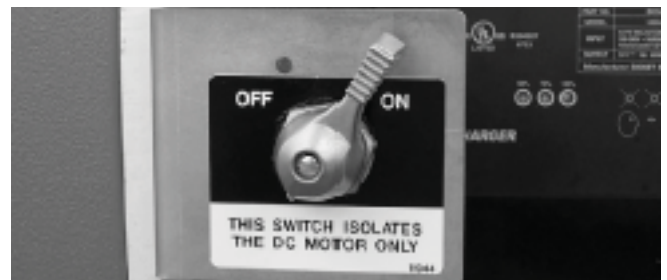


**Figure 11.2 - Fuel / Electric Switch**

If the gasoline / diesel engine is selected [switch up] the DC motor will not function and if the DC motor is selected [switch down] the gasoline / diesel engine will not run.

### □ DC motor battery switch

In order to operate the DC motor the 24V DC battery isolator switch, mounted at the center rear of the column, will also need to be switched on (see figure 11.3).



**Figure 11.3 - DC Motor Battery Isolate Switch**

### Note - 24V DC Battery Switch

When operating the gasoline / diesel engine the 24V DC battery switch should be turned to the off position.

### □ Setting the automatic stabilisers

In order for the stabilisers to function an additional switch (see figure 11.4) needs to be operated.

This switch, mounted adjacent to the stabiliser valve levers, must be held on in the stabiliser enabled (1) position while the individual stabiliser valves are operated.



**Figure 11.4 - Stabiliser Enable Switch**

### Note - Stabiliser Enable Switch

This switch is only fitted to units that have manual stabiliser valve levers.

### □ Setting the automatic stabilisers

When the Automatic Stabiliser Option is fitted there is no need to use the stabiliser enable switch described above.

For automatic stabiliser operation refer to the Operation Chapter.

## 11. Options

### □ Operation

Once the DC mode is selected the motor will then power all the functions in the normal manner, (excluding the manual stabiliser operation described above).

The only difference is that the DC motor will only run when a function is selected e.g. raising a boom.

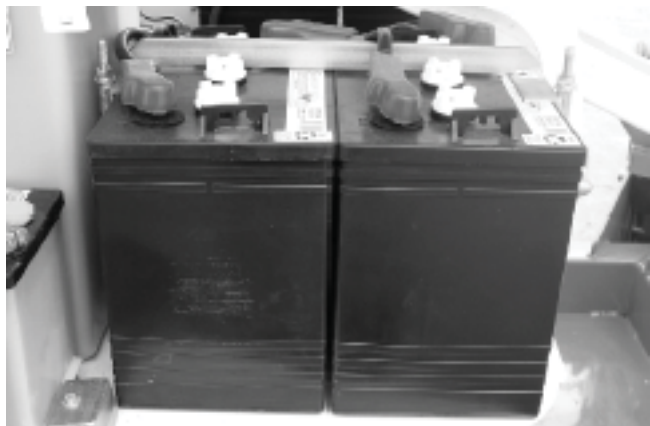
### □ Batteries

Since the Bi-Energy MHP is powered by “Deep Cycle Traction Batteries” Particular attention should be paid to the batteries on-board charger to ensure proper operation.

The batteries are mounted at each side of the column (see figures 11.5 and 11.6).



**Figure 11.5 - Two DC Motor Batteries  
(Lower Control Box Side)**



**Figure 11.6 - Two DC Motor Batteries  
(Petrol / Diesel Engine Side)**

### ▲ IMPORTANT

**The side covers must be removed / raised whilst charging to allow gasses to escape.**

### ▲ DANGER

**Lead-acid batteries contain sulphuric acid which will damage eyes or skin on contact.**

**When working around batteries, always wear a face shield to avoid acid in the eyes.**

**If acid contacts eyes, flush immediately with clear water and get medical attention.**

**Wear rubber gloves and protective clothing to keep acid off the skin, if acid contacts the skin, wash off immediately with clear water.**

**Lead-acid batteries produce flammable and explosive gasses. Never allow smoking, flames or sparks around batteries.**

### □ Battery charger

The Bi-Energy MHP is fitted with an on-board charger (see figure 11.7). The charger will completely recharge the batteries and automatically turn off after the cycle is completed.



**Figure 11.7 - On-Board Battery Charger**

The battery charger is fitted with an ‘interlock’. This means that during the charging cycle all functions on the machine are inoperative and will remain so until the charger unit is switched off.

The charging cycle may last from 1 to 12 hours depending on the state of the batteries.

If the charging cycle should exceed 16 hours (indicating a fault) the charger will automatically shut down and the batteries should be checked.

The inlet for connection of mains power to the charger is mounted under the left hand side cover and can be accessed with the side cover removed (see figure 11.8).



**Figure 11.8 - Mains Power Connection For Charger**

**⚠ IMPORTANT**

**Do not recharge the batteries unless the electrolyte level has been checked.**

**⚠ DANGER**

**Do not allow smoking, flames or sparks around batteries.**

**⚠ IMPORTANT**

**Do ensure the side covers are removed / raised during the charging process to allow gasses to escape.**

**☐ Batteries general maintenance**

Always keep the batteries clean, free of dirt and corrosion. A film on top of the battery can accelerate discharge.

Cold reduces battery capacity and retards charging. Heat increases water usage and can (in extreme circumstance) result in over charging. Use distilled water to refill the batteries. Avoid water containing metallic solids such as iron.

**☐ Batteries - charging**

Fully recharge the batteries, immediately after use. One charging cycle per day is preferred. Fully charged batteries perform best. The deeper the discharge, the fewer the number of cycles a battery will deliver. Deep discharges deteriorate the battery quicker than shallow cycles. An overly discharged battery may need to be cycled a few times before it can fully recover. If a battery begins to heat before becoming fully charged, it may be necessary to recharge and discharge the battery a few times.

The MHP is equipped with an automatic battery charger that will completely recharge the batteries and turn off after the charge cycle is complete.

**■ Bi-Energy, Petrol/Diesel / 240V AC**

Another Bi-Energy option available for the MHP is the 240V AC / Petrol/Diesel option described below.

This consists of a combination of both a gasoline or diesel engine and a 240V AC motor to give a Bi-Energy option.

Specifically a 240V AC motor is mounted on the column under the left hand side cover. This provides an alternative power source to the gasoline or diesel engine.

The AC motor is powered from an external AC power source.

**☐ AC motor**

The AC motor is mounted under the left hand side cover (see figure 11.9).



**Figure 11.9 - AC Motor**

**☐ AC motor operation**

A Gas/Electric switch is used to select either the petrol/diesel engine or the AC motor (see figure 11.10).



**Figure 11.10 - Petrol/Electric Switch**

# 11. Options

## □ AC power connection

In order for the AC motor to operate (when the petrol / electric switch is in the electric position) an AC power source must be connected to the MHP (see figure 11.11).



Figure 11.11 - AC Power Input Connector

## □ Operation

The same controls are used to stop, start and operate the electric motor as are used for the petrol / diesel motor.

If the petrol / electric switch is in 'electric mode' but no AC power source is connected the MHP will default to petrol operation when the ignition switch is activated.

## □ Bi-Energy, hydraulic oil tank.

For both Bi-Energy options described an additional feed line from the hydraulic oil tank is used (see figure 11.12).



Figure 11.12 - Bi-Energy Hydraulic Tank

## ■ Other Options

### ■ Air Line To Platform

This consists of pressure flex yellow hose rated at 150 psi working pressure, fitted with quick disconnect couplers at each end.

### ■ Work Lights

Rubber encased work lights can be fitted to the platform guardrails. The lights are swivel mounted and each has its own switch.

### ■ Flashing Light

Mounted on the lower boom the flashing light alerts people that the MHP is moving. The light flashes at about one flash per second any time the master key switch is on. There is no ON/OFF switch for the flashing light, it cannot be turned off while the MHP is running.

### ■ Battery Isolate Switch

Isolates the battery power and can be locked into the off position.

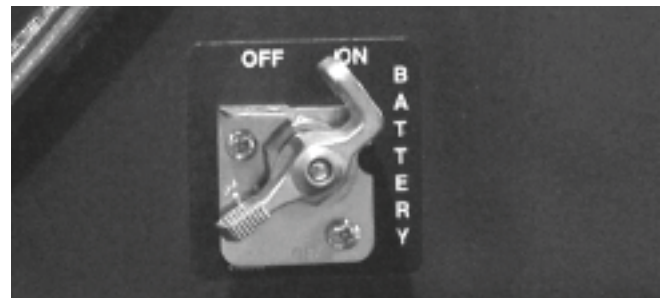


Figure 11.13 - Battery Isolate Switch

### ■ Alternative Power Options

There are a variety of alternative power options available for the MHP. These consist of: Diesel engine, 24V power, 240V power and 110V power.

### ■ RCD / ELCB AC Outlet

A 3 core wire rated at 600 volts AC 15 amps is run up the booms as standard.



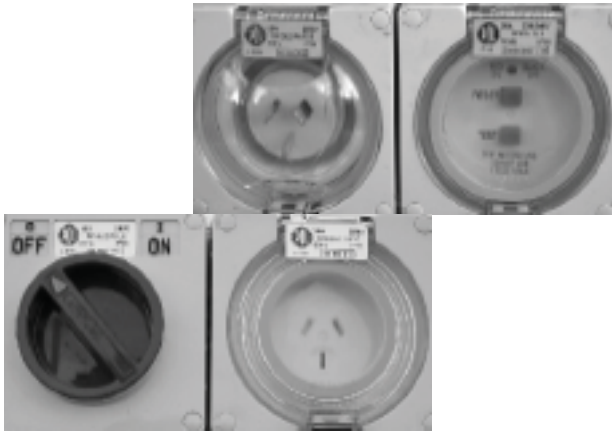


Figure 11.14

■ Self Leveling Stabiliser

With this option the stabilisers will ‘self level’ the platform when the auto mode is selected, alternatively the stabilisers can be used individually when in the manual mode.

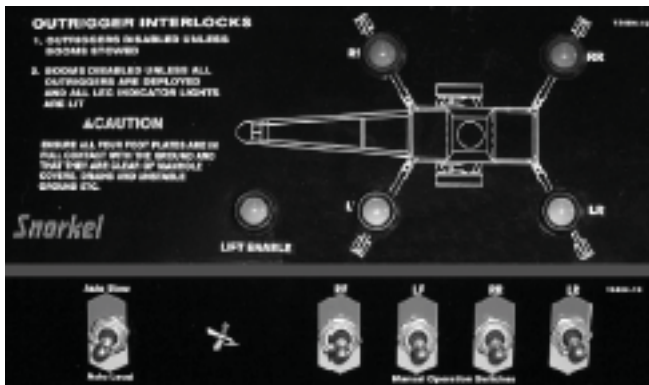


Figure 11.15 - Self Leveling Stabilisers

■ Spare Wheel

Mounted on the front of the trailer in a recessed well, this is an ideal option for machines that regularly travel in isolated country areas.



Figure 11.16 - Spare Wheel

■ Platform Foot Switch

The foot switch performs the same function as the standard enable switch. Stepping on the foot switch is an action that must be performed, at the same time as another action, to make the booms/platforms move.



Figure 11.17 - Platform Foot Switch

■ Platform Rotator

Pushing the switch to the left will rotate the platform to the left whilst pushing the switch to the right will rotate the platform to the right.

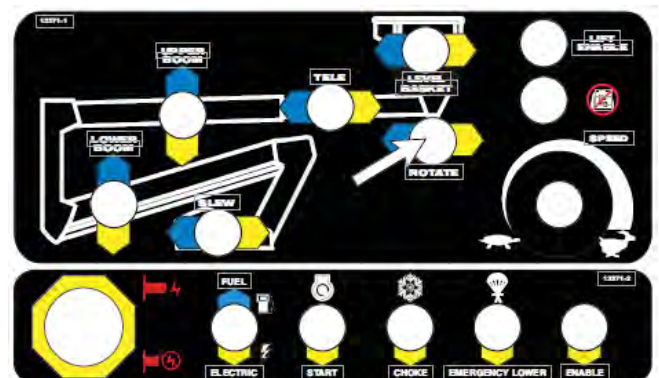


Figure 11.18 - Platform Rotator Switch

# 11. Options

## ■ 10.9 Meter Height Restriction Kit

This kit may be fitted to machines manufactured for the Australian market to comply with Australian legislation.

For machines fitted with this kit a key switch (1) is provided on the lower control box.

This switch allows the machine to operate to its full height of 11.5m when the switch is in the disabled position (3) or to the restricted height of 10.9 when the switch is in the enabled position (2) (see figure 11.19).

The key switch is fitted in the upper left hand corner of the lower control box.

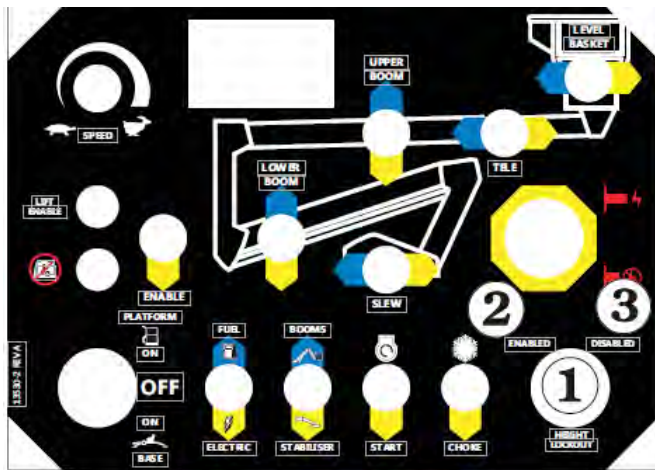


Figure 11.19 - Height Lockout Switch

The use of the machine in the unrestricted mode (over 10.9m) by an uncertified operator is a breach of Australian law.

In order to operate this machine in the unrestricted mode the operator is required to hold a WP certificate of Competency.

### ⚠ IMPORTANT

The key **must not** be left in the machine by a qualified operator when the machine is left unattended.

#### Note

The key can only be removed in the 10.9m restricted mode thus ensuring that it is not able to be operated at full height by an unqualified operator.

## ■ Hazardous Components

Snorkel machines may contain some or all of the following materials and objects that potentially could become significant fire or environmental hazards during the lifetime of the machine.

1. Antifreeze (ethylene glycol)
2. Battery, lead / acid
3. Diesel fuel
4. Foam in tyres
5. Gasoline
6. Hydraulic oil
7. Liquefied petroleum gas
8. Motor oil

The rest of the chapter lists manufacturers information you will need if you ever have to control any of the above items during an upset or emergency.

### □ Antifreeze (UN 1993)

#### Fire extinguishing media:

Dry Chemical, foam, or CO<sub>2</sub>.

#### Special fire fighting procedures:

Water spray may be ineffective on fire but can protect fire fighters and cool closed containers. Use fog nozzles if water is used.

### DANGER

**DO NOT enter confined fire space without full bunker gear. (Helmet with face shield, bunker coats, gloves and rubber boots). Use a NIOSH approved positive pressure self contained breathing apparatus. Keep container tightly closed. Isolate from oxidizers, heat and open flame.**

#### Spill or leak:

Small - mop up with absorbent material and transfer to hood.

#### Waste disposal method:

Small - evaporate until all vapors are gone. Dispose of remainder by legally applicable methods.

### □ Battery, lead/acid (UN 2794)

#### Extinguishing media:

Dry chemical, foam or CO<sub>2</sub>.

#### Special fire fighting procedures:

Use positive pressure, self contained breathing apparatus.

#### Unusual fire and explosion hazards:

Hydrogen and oxygen gases are produced in the cells during normal battery operation.

### DANGER

**Hydrogen gas is flammable and oxygen supports combustion. These gases enter the air through the vent caps. To avoid the chance of a fire or explosion, keep sparks and other sources of ignition away from the battery.**

#### Spill or leak:

Remove combustible materials and all sources of ignition. Contain spill by diking with soda ash (sodium carbonate) or quicklime (calcium oxide). Cover spill with either chemical. Mix well. Make certain mixture is neutral then collect residue and place in a drum or other suitable container. Dispose of as a hazardous waste.

### DANGER

**ALWAYS wear acid resistant boots, face shield, chemical splash goggles and acid resistant gloves when handling acid spills or leaks.**

#### Note

Do not release UN-neutralized acid!

#### Waste disposal method:

Sulphuric acid: Neutralize as above for a spill, collect residue and place in a drum or suitable container. Dispose of as a hazardous waste.

#### Note

Do not flush lead contaminated acid to sewer.

#### Waste disposal method:

Batteries: Send to lead smelter for reclamation following applicable federal, state and local regulations.

### □ Diesel fuel (NA 1993)

#### Extinguishing media:

Use water spray, dry chemical, foam or CO<sub>2</sub>.

## 12. Fire Fighting and Chemical Containment

### Special fire fighting procedures:

Use water to keep fire exposed containers cool. If leak or spill has not ignited, use water spray to disperse the vapors and to provide protection for personnel attempting to stop a leak. Water spray may be used to flush spills away from exposures.

### Unusual fire and explosion hazards:

Products of combustion may contain carbon monoxide, carbon dioxide and other toxic materials.

### DANGER

**DO NOT enter enclosed or confined space without proper protective equipment including respiratory protection.**

### Spill or leak:

Contain spill immediately in smallest area possible. Recover as much of the product itself as possible by such methods as vacuuming, followed by soaking up of residual fluids by use of absorbent materials.

Remove contaminated items including contaminated soil and place in proper containers for disposal. Avoid washing, draining or directing material to storm or sanitary sewers.

### Waste disposal method:

Recycle as much of the recoverable product as possible.

Dispose of non-recyclable material as a RCRA hazardous waste by such methods as incineration, complying with federal, state and local regulations.

### Foam in tyres

### Extinguishing media:

Water, dry chemical, foam or CO<sub>2</sub>.

### Special fire fighting procedures:

Evacuate non emergency personnel to a safe area.

### Unusual fire and explosion hazards:

Fire fighters should use self contained breathing apparatus. Avoid breathing smoke, fumes and decomposition products. Use water spray to drench smoldering elastomer. Product may melt after ignition to form flammable liquid.

### DANGER

**Burning procedures intense heat, dense smoke and toxic gases such as carbon monoxide, oxides of nitrogen and traces of hydrogen cyanide.**

### Spill or leak:

Pick up and handle as any other inert solid material.

### Waste disposal method:

Not considered a hazardous material. Dispose of material according to any local, state and federal regulations.

### Gasoline (UN 1203)

### Extinguishing media:

Dry chemical, foam or CO<sub>2</sub>.

### Special fire fighting procedures:

Water may be ineffective to extinguish, but water should be used to keep fire exposed containers cool. If a leak or spill has not ignited, use water spray to disperse the vapors and to protect personnel attempting to stop a leak. Water spray may be used to flush spills away from areas of potential ignition.

### Unusual fire and explosion hazards:

Highly flammable. Products of combustion may contain carbon monoxide, carbon dioxide and other toxic materials.

### DANGER

**DO NOT enter enclosed or confined space without proper protective equipment including respiratory protection.**

### Spill or leak:

Review fire and explosion hazards before proceeding with clean up. Use appropriate personal protective equipment during clean up. Dike spill. Prevent liquid from entering sewers, water ways, or low areas. Soak up with sawdust, sand, oil dry or other absorbent material. Shovel or sweep up.

Remove source of heat, sparks, flame, impact, friction or electricity including internal combustion engines and power tools. If equipment is used for spill cleanup, it must be explosion proof and suitable for flammable liquid and vapor.

## 12. Fire Fighting and Chemical Containment

### Note

Vapors released from the spill may create an explosive atmosphere.

### Waste disposal method:

Treatment, storage, transportation and disposal must be in accordance with applicable federal, state, provincial and local regulations.

### CAUTION

**Do not flush to surface water or sanitary sewer system. By itself, the liquid is expected to be a RCRA ignitable hazardous waste.**

### Hydraulic oil (UN 1270)

### Extinguishing media:

Use water spray, dry chemical, foam or CO<sub>2</sub>.

### Special fire fighting procedures:

Water or foam may cause frothing. Use water to keep fire exposed containers cool. Water spray may be used to flush spills away from exposures.

### Unusual fire and explosion hazards:

Products of combustion may contain carbon monoxide, carbon dioxide and other toxic materials.

### DANGER

**Do not enter enclosed or confined space without proper protective equipment including respiratory protection.**

### Spill or leak:

Contain spill immediately in smallest area possible. Recover as much of the product itself as possible by such methods as vacuuming, followed by soaking up of residual fluids by use of absorbent materials.

Remove contaminated items including contaminated soil and place in proper containers for disposal. Avoid washing, draining or directing material to storm or sanitary sewers.

### Waste disposal method:

Recycle as much of the recoverable product as possible. Dispose of non recyclable material as a RCRA hazardous waste by such methods as incineration,

complying with federal, state and local regulations.

### Liquefied petroleum gas (UN 1075)

### Extinguishing media:

Water spray. Class A-B-C or BC fire extinguishers.

### Special fire fighting procedures:

Stop flow of gas. Use water to keep fire exposed containers cool. Use water spray to disperse unignited gas or vapor.

If ignition has occurred and no water available, tank metal may weaken from over heating. Evacuate area. If gas is not ignited, LP gas liquid or vapor may be dispersed by water spray or flooding.

### Unusual fire and explosion hazards:

Highly flammable. Products of combustion may contain carbon monoxide, carbon dioxide and other toxic materials.

### DANGER

**DO NOT enter enclosed or confined space without proper protective equipment including respiratory protection.**

### Spill or leak:

Keep public away. Shut off supply of gas. Eliminate sources of ignition. Ventilate the area. Disperse with water spray.

Contact between skin and these gases in liquid form can cause freezing of tissue causing injury similar to thermal burn.

### Note

Vapors released from the spill may create an explosive atmosphere.

### Waste disposal method:

Treatment, storage, transportation and disposal must be in accordance with applicable federal, state, provincial and local regulations.

### Motor oil (UN 1270)

### Extinguishing media:

Use water spray, dry chemical, foam or CO<sub>2</sub>.

## **12. Fire Fighting and Chemical Containment**

---

### **Special fire fighting procedures:**

Water or foam may cause frothing. Use water to keep fire exposed containers cool. Water spray may be used to flush spills away from exposures.

### **Unusual fire and explosion hazards:**

Products of combustion may contain carbon monoxide, carbon dioxide and other toxic materials.

### **DANGER**

**DO NOT enter enclosed or confined space without proper protective equipment including respiratory protection.**

### **Spill or leak:**

Contain spill immediately in smallest area possible. Recover as much of the product itself as possible by such methods as vacuuming, followed by soaking up of residual fluids by use of absorbent materials.

Remove contaminated items including contaminated soil and place in proper containers for disposal. Avoid washing, draining or directing material to storm or sanitary sewers.

### **Waste disposal method:**

Recycle as much of the recoverable product as possible.

Dispose of non-recyclable material as a RCRA hazardous waste by such methods as incineration, complying with federal, state and local regulations.

## ■ Troubleshooting

### ⚠ CAUTION

All of the actions described in this chapter may be performed by an MHP operator, a trained and qualified service technician is not required.

**Any problem that cannot be fixed by actions listed below should be referred to a trained and qualified MHP service technician.**

The first column, of the following chart lists some common problems encountered by MHP operators.

The second column lists some of the causes for each problem.

The third column lists remedies.

### □ Operator troubleshooting chart

Problem	Cause	Remedy
Engine will not crank.	1. Flat battery.	Replace / charge battery.
	2. Main circuit breaker, in ground control box, has tripped.	Reset circuit breaker , then try to start the engine. If it will not start, refer the problem to a qualified service technician.
	3. Loose battery terminals .	Tighten battery leads at battery.
Engine cranks but will not start.	1. Out of fuel.	Fill the engine with the correct type / grade of fuel.
	2. Fuel tap off.	Locate fuel tap on engine and turn to ON.
Engine runs but no outrigger function.	1. Leg / boom switch in lower control box incorrectly set	Switch to <b>Stabilisers</b> to operate stabilisers.
Engine runs but no boom function.	1. Speed control set too SLOW.	Turn <b>Speed Control</b> C.W. until function starts.
	2. Stabilisers not set correctly.	All stabilisers must be set on firm ground before boom functions will operate.
	3. Lack of hydraulic oil.	A. Check hydraulic system for leaks. B. Top up the oil tank with the correct type / grade of hydraulic oil.
Bleed down at platform inoperative.	1. Flat battery.	A. Charge / replace the battery. B. Use Manual Bleed Down from lower station.





- **Aerial platform**

A mobile device that has an adjustable position platform, supported from ground level by a structure.

- **Ambient temperature**

The air temperature of the immediate environment.

- **Ammeter**

An instrument for measuring the strength of an electric current in amperes.

- **Authorised personnel**

Personnel approved as assigned to perform specific duties at a specific location.

- **Base**

The relevant contact points of the aerial platform that form the stability support (e.g. wheels, casters, outriggers, stabilisers).

- **Boom**

A movable cantilever beam which supports the platform.

- **Center of gravity**

The point in the aerial platform around which its weight is evenly balanced.

- **Chassis**

The integral part of the aerial platform that provides mobility and support for the booms.

- **Fall arrest system**

Is the form of fall protection which involves the safe stopping of a person already falling. The system includes:

A: Anchorage - a fixed structure to which the components of the system are rigged.

B: Body Wear - a full body harness worn by the person (referred to as a “safety harness” in this manual).

C: Connector - a subsystem component connecting the harness to the anchorage, such as a lanyard.

D: Deceleration Device - a subsystem component designed to dissipate the forces associated with a fall arrest event.

- **Fall arrest**

Is the form of personal fall protection which prevents persons who are in a fall hazard area from falling. The system includes:

A: Anchorage - a fixed structure to which the components of the system are rigged.

B: Body Wear - a full body harness worn by the person (referred to as a “safety harness” in this manual).

C: Connector - a subsystem component connecting the harness to the anchorage, such as a lanyard. The lanyard is short enough that the person can not reach the fall hazard.

- **Ground pressure**

The maximum pressure, expressed in pounds per square inch, a single wheel concentrates on the floor or ground.

- **Gradeability**

The maximum slope that the aerial platform is capable of travel.

- **Ground fault circuit interrupter or residual current detector**

A fast acting circuit breaker that opens to stop electrical circuit flow if it senses a very small current leakage to ground. The GFCI/RCD is used to protect personnel against a potential shock hazard from defective electrical tools or wiring.

- **Guardrail system**

The primary fall protection system to eliminate the fall hazard. The system includes toe boards, midrail, toprail and uprights.

- **Hazardous location**

Any location that contains, or has the potential to contain, an explosive or flammable atmosphere as defined by ANSI/NFPA 505.

- **Jib boom**

A boom assembly located between the main boom and the platform.

- **Level Sensor**

A device that detects a present degree of variation from perfect level. The level sensor is used to sound an alarm if operating on a slope greater than the present value. It may also (depending on the machine) prevent it from operating further until it is brought back within the present parameters.

- **Lower controls**

The controls located at ground level for operating some or all of the functions of the aerial platform.

- **Main boom**

A boom assembly located between the turntable and the platform or jib boom. The main boom includes the base, intermediate and tip boom.

- **Maximum travel height**

The maximum platform height or the most adverse configuration(s) with respect to stability in which travel is permitted by the manufacturer.

- **Minimum safe approach distance**

The minimum safe distance that electrical conductors may be approached when using the aerial platform. Also called MST.

- **Operation**

The performance of an aerial platform functions within the scope of its specifications and in accordance with the manufacturers instructions, the users work rules and all applicable governmental regulations.

- **Operator**

A qualified person who controls the movement of an aerial platform.

- **Platform**

The portion of an aerial platform intended to be occupied by personnel with their tools and materials.

- **Platform height**

The vertical distance measured from the floor of the platform to the surface upon which the chassis is being supported.

- **Prestart inspection**

A required safety inspection routine that is performed daily before operating the aerial platform.

- **Qualified person**

A person, who by reason of knowledge, experience or training is familiar with the operation to be performed and the hazards involved.

- **Rated work load**

The designed carrying capacity of the aerial platform in its rest position.

- **Stow**

To place a component, such as the platform, in its rest position.

- **Turning radius**

The radius of the circle created by the wheel during a 360 degree turn with the steering wheels turned to maximum. Inside turning radius is the wheel closest

to the center and outside turning radius is the wheel farthest from the center.

- **Turntable**

The structure above the rotation bearing which supports the main boom. The turntable rotates about the centerline of the rotation.

- **Unrestricted rated work load**

The maximum designed carrying capacity of the aerial platform allowed by the manufacturer in all operating configurations.

- **Upper controls**

The controls located on or beside the platform used for operating some or all of the functions of the aerial platform.

- **Wheelbase**

The distance from the center of the rear wheel to the center of the front wheel.

- **Working envelope**

The area defined by the horizontal and vertical limits of boom travel that the platform may be positioned in.

**Local Distributor / Lokaler Vertiebshändler / Distributeur local  
El Distribuidor local / Il Distributore locale**

**EUROPE, MIDDLE EAST  
AFRICA & ASIA**

**PHONE:** +44 (0) 845 1550 057

**FAX:** +44 (0) 845 1557 756

**NORTH & SOUTH AMERICA**

**PHONE:** +1 785 989 3000

**TOLL FREE:** +1 800 255 0317

**FAX:** +1 785 989 3070

**AUSTRALIA**

**PHONE:** +64 2 9725 4000

**FAX:** +64 2 9609 3057

**NEW ZEALAND**

**PHONE:** +64 6 3689 168

**FAX:** +64 6 3689 164

 **snorkel**  
[www.snorkellifts.com](http://www.snorkellifts.com)